




OPERATOR'S MANUAL FOR  
***HSP-SERIES***  
HOT WATER  
PRESSURE WASHERS  
(UTILIZES EMF SYSTEM PATENT #5,954,494)



 CAUTION  
RISK OF INJURY!


READ MANUAL BEFORE OPERATING!

This manual is an important part of the pressure washer and must remain with the unit when you sell or rent it!


# TABLE OF CONTENTS

<b>INTRODUCTION</b> .....	<b>3</b>
<b>IMPORTANT SAFETY WARNINGS</b> .....	<b>4-7</b>
RISK OF EXPLOSION OR FIRE .....	4
RISK OF ASPHYXIATION .....	5
RISK OF INJECTION OR SEVERE CUTTING INJURY .....	5
RISK OF ELECTROCUTION OR ELECTRICAL SHOCK.....	5
RISK OF BURNS .....	6
RISK OF BURSTING .....	6
RISK FROM MOVING PARTS.....	6
RISK OF BODILY INJURY .....	7
<b>FEATURES</b> .....	<b>8-11</b>
<b>INSTALLATION &amp; PREPARATION</b> .....	<b>12-14</b>
ATTIRE .....	12
SET-UP .....	12
ENGINE/BURNER FUEL TANK.....	12
ADJUSTABLE PRESSURE DUAL LANCE.....	13
DUAL LANCE CONNECTION .....	13
WATER SUPPLY.....	13
UNLOADER .....	14
HEAT DUMP VALVE .....	14
PRE-START INSPECTION PROCEDURES.....	14
<b>OPERATING INSTRUCTIONS</b> .....	<b>16-17</b>
PRIMING THE PUMP .....	16
START-UP/COLD WATER OPERATION .....	16
HOT WATER OPERATION .....	17
CLEANING WITH DETERGENTS UNDER LOW PRESSURE .....	17
SHUTDOWN.....	17
<b>STORAGE &amp; MAINTENANCE</b> .....	<b>18-19</b>
SPECIFIC MAINTENANCE .....	18
WINTERIZING .....	19
<b>TROUBLESHOOTING</b> .....	<b>20-21</b>
<b>MAINTENANCE CHART</b> .....	<b>22</b>
<b>ACCESSORIES</b> .....	<b>23</b>
<b>STATEMENT OF WARRANTY</b> .....	<b>24</b>
<b>NOTES</b> .....	<b>25</b>

## **WARNING**

 **WARNING:** This product can expose you to chemicals including Lead, which is known to the State of California to cause cancer and birth defects or other reproductive harm. For more information go to [www.P65Warnings.ca.gov](http://www.P65Warnings.ca.gov)

## **WARNING**

 **WARNING:** This product can expose you to chemicals including carbon monoxide, which is known to the State of California to cause birth defects or other reproductive harm. For more information go to [www.P65Warnings.ca.gov](http://www.P65Warnings.ca.gov)

# INTRODUCTION

Congratulations on the purchase of your new Mi-T-M HSP-Series hot water pressure washer featuring the patented Electro Magnetic Firing (EMF) System! You can be assured your Mi-T-M hot water pressure washer was constructed and designed with quality and performance in mind. Each component has been rigorously tested to ensure the highest level of acceptance.

This operator's manual was compiled for your benefit. By reading and following the simple safety, installation, operation, maintenance and troubleshooting steps described in this manual, you will receive years of trouble free operation from your new Mi-T-M hot water pressure washer. The contents of this manual are based on the latest product information available at the time of publication. Mi-T-M reserves the right to make changes in price, color, materials, equipment, specifications or models at any time without notice.

## **! IMPORTANT !**

These paragraphs are surrounded by a "SAFETY ALERT BOX". This box is used to designate and emphasize Safety Warnings that must be followed when operating this pressure washer. Accompanying the Safety Warnings are "signal words" which designate the degree or level of hazard seriousness. The "signal words" used in this manual are as follows:

**DANGER:** Indicates an imminently hazardous situation which, if not avoided, **WILL** result in death or serious injury.

**WARNING:** Indicates a potentially hazardous situation which, if not avoided, **COULD** result in death or serious injury.

**CAUTION:** Indicates a potentially hazardous situation which, if not avoided **MAY** result in minor or moderate injury.



The symbols set to the left of this paragraph are "Safety Alert Symbols". These symbols are used to call attention to items or procedures that could be dangerous to you or other persons using this equipment.



**ALWAYS PROVIDE A COPY OF THIS MANUAL TO ANYONE USING THIS EQUIPMENT. READ ALL INSTRUCTIONS BEFORE OPERATING THIS PRESSURE WASHER AND ESPECIALLY POINT OUT THE "SAFETY WARNINGS" TO PREVENT THE POSSIBILITY OF PERSONAL INJURY TO THE OPERATOR.**

Once the unit has been uncrated, immediately write in the serial number of your unit in the space provided below.

**SERIAL NUMBER** \_\_\_\_\_

Inspect for signs of obvious or concealed freight damage. If damage does exist, file a claim with the transportation company immediately. Be sure that all damaged parts are replaced and that the mechanical and electrical problems are corrected prior to operation of the unit. If you require service, contact Mi-T-M Customer Service.

CUSTOMER SERVICE  
CALL OUR TOLL-FREE NUMBER  
for the Sales or Service Center nearest you!  
800-553-9053

Please have the following information available for all service calls:

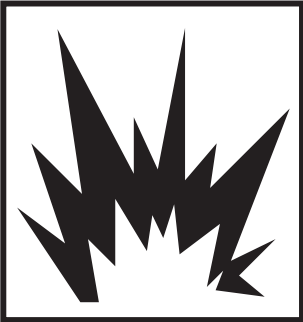

1. Model Number
2. Serial Number
3. Date and Place of Purchase



# SAFETY WARNINGS



WARNING: When using this product, basic precautions should always be observed, including the following.  
READ ALL SAFETY WARNINGS BEFORE USING PRESSURE WASHER

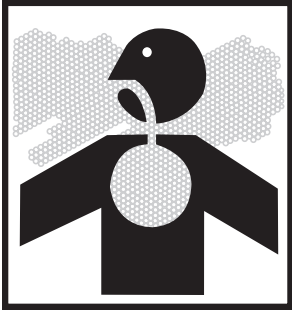
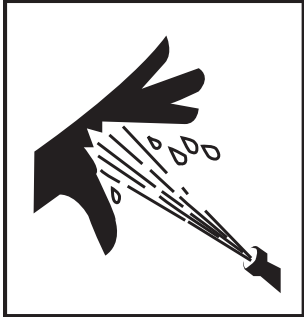

HAZARD	POTENTIAL CONSEQUENCE	PREVENTION
<p data-bbox="162 231 422 304"><b>RISK OF EXPLOSION OR FIRE</b></p>  	<p data-bbox="511 231 920 357">Serious injury or death may occur from normal sparks in the multiple ignition sources or engine/burner exhaust.</p> <p data-bbox="511 594 927 657">Serious injury or death may occur as a result of improper fueling.</p> <p data-bbox="511 1291 927 1381">Serious injury or death may occur from a ground fire caused by a muffler spark.</p> <p data-bbox="511 1623 927 1713">Serious injury or death may occur if system safety's are not properly maintained.</p>	<p data-bbox="950 231 1479 357">Always operate pressure washer in a well ventilated area free of flammable vapors, combustible dust, gases or other combustible materials.</p> <p data-bbox="950 378 1479 499">Do not store the pressure washer near an open flame or any equipment such as a stove, furnace, water heater, etc., which utilizes a pilot light or sparking device.</p> <p data-bbox="950 520 1479 577">Do not use this pressure washer to spray flammable material!</p> <p data-bbox="950 594 1380 625">Do not smoke while filling fuel tanks.</p> <p data-bbox="950 640 1479 730">Never fill the fuel tanks while the engine is running or hot. Allow the engine to cool two minutes before refueling.</p> <p data-bbox="950 747 1479 804">Do not refuel indoors or in a poorly ventilated area.</p> <p data-bbox="950 825 1479 882">Always refuel slowly to avoid the possibility of spilled fuel which may cause a risk of fire.</p> <p data-bbox="950 898 1479 989"><b>Engine Fuel Tank:</b> If using a Gasoline Engine, refuel with gasoline only. Do not use diesel or fuel oil.</p> <p data-bbox="950 1008 1479 1098"><b>Burner Fuel Tank (Black):</b> When refueling the Burner Fuel Tank, use No. 1 or No. 2 fuel oil/diesel or kerosene. Do not use gasoline.</p> <p data-bbox="950 1117 1479 1272">Do not operate the unit if gasoline or diesel fuel is spilled. Wipe the pressure washer clean and move it away from the spill. Avoid creating any ignition until the gasoline or diesel fuel has evaporated.</p> <p data-bbox="950 1291 1479 1602">A spark arrester must be added to the muffler of this engine if it is to be used on any forest covered, brush covered or grass covered unimproved land. The arrester must be maintained in effective working order by the operator. In the state of California, the above is required by law. (Section 4442 of the California Public Resources Code.) Other states may have similar laws. Federal laws apply on Federal lands.</p> <p data-bbox="950 1623 1479 1778">This pressure washer has a Safety Relief device which should never be altered, modified, removed or made inoperative. If the device fails, replace immediately with only genuine manufacturer replacement part.</p>



# SAFETY WARNINGS

READ ALL SAFETY WARNINGS BEFORE USING PRESSURE WASHER




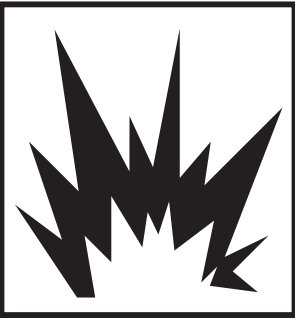

HAZARD	POTENTIAL CONSEQUENCE	PREVENTION
<p style="text-align: center;"><b>RISK OF ASPHYXIATION</b></p> 	<p>Serious injury or death may occur from inhaling engine/burner exhaust or dangerous vapors. The engine exhaust from this product contains chemicals known to the State of California to cause cancer, birth defects, or other reproductive harm.</p>	<p>This pressure washer was designed for outdoor use only. Never operate this pressure washer in an enclosed area. Always make certain there is adequate ventilation (fresh outside air) for breathing and combustion. This will prevent the buildup of dangerous carbon monoxide gases. Beware of poorly ventilated areas, or areas with exhaust fans which can cause poor air exchange.</p> <p>Follow all safety instructions provided with the materials you are spraying. Use of a respirator may be required when working with some materials. Do not use this pressure washer to dispense hazardous detergents.</p>
<p style="text-align: center;"><b>RISK OF INJECTION OR SEVERE CUTTING INJURY</b></p> 	<p>Serious injury or death could occur from high pressure spray penetrating the skin.</p>	<p>Keep clear of nozzle and spray! Never put your hand, fingers or body directly over the spray nozzle.</p> <p>Never point the high pressure discharge spray at yourself or anyone else.</p> <p>Always keep operating area clear of all persons.</p> <p>DO NOT allow children to operate this unit.</p> <p>SEEK EMERGENCY MEDICAL CARE if the spray appears to have penetrated the skin! DO NOT TREAT AS A SIMPLE CUT!!</p> <p>High pressure hoses and fuel lines should be inspected daily for signs of wear. If evidence of failure exists, promptly replace all suspect hoses and fuel lines to prevent the possibility of injury from the high pressure spray. If a hose or fitting is leaking, NEVER PLACE YOUR HAND DIRECTLY ON THE LEAK.</p> <p>NEVER operate the gun with the trigger wired in the open position. To prevent accidental discharge, the trigger gun should be securely locked when not in use.</p> <p>Before removing the spray nozzle or servicing the unit, ALWAYS shut off the unit and trigger the gun to release trapped pressure. (Even after you shut off the unit, there is high pressure water left in the pump, hose and gun until you release it by triggering the gun.)</p>
<p style="text-align: center;"><b>RISK OF ELECTROCUTION OR ELECTRICAL SHOCK</b></p> 	<p>Serious injury or death may occur from contact with electricity.</p>	<p>DO NOT direct spray on or into electrical installations of any kind! This includes electrical outlets, light bulbs, fuse boxes, transformers, the unit itself, etc.</p> <p>DO NOT allow metal components of the pressure washer to come in contact with live electrical components.</p>



# SAFETY WARNINGS

READ ALL SAFETY WARNINGS BEFORE USING PRESSURE WASHER




HAZARD	POTENTIAL CONSEQUENCE	PREVENTION
<p><b>RISK OF BURNS</b></p> 	<p>Serious injury may occur from touching the gasoline engine, muffler or heat exchanger. These areas can remain hot for some time after the pressure washer is shutdown.</p>	<p>Never allow any part of your body to contact the gasoline engine, muffler or heat exchanger.</p>
<p><b>RISK OF BURSTING</b></p> 	<p>Serious injury may occur from a pressure washer malfunction or exploding accessories if incorrect system components, attachments or accessories are used.</p> <p>Serious injury or death may occur if attempting to start the pressure washer when the pump is frozen.</p>	<p>Never make adjustments to the factory set pressures.</p> <p>Never exceed manufacturers maximum allowable pressure rating of attachments.</p> <p>Do not allow any hoses to make contact with the engine muffler, gasoline engine or heat exchanger to prevent the possibility of bursting. Avoid dragging the hoses over abrasive surfaces such as cement.</p> <p>Use only Mi-T-M recommended repair parts for your pressure washer.</p> <p>In freezing temperatures, the unit must always be warm enough to ensure there is no ice formation in the pump. Do not start the pressure washer if it has been transported in an open or underheated vehicle without first allowing the pump to thaw.</p>
<p><b>RISK FROM MOVING PARTS</b></p> 	<p>Serious injury may occur to the operator from moving parts on the pressure washer.</p>	<p>Before making any adjustments, be certain the engine is turned off and the ignition cable(s) is removed from the spark plug(s). Turning the machinery over by hand during adjustment or cleaning might start the engine and machinery with it.</p> <p>Do not operate the unit without all protective covers in place.</p>



# SAFETY WARNINGS

READ ALL SAFETY WARNINGS BEFORE USING PRESSURE WASHER



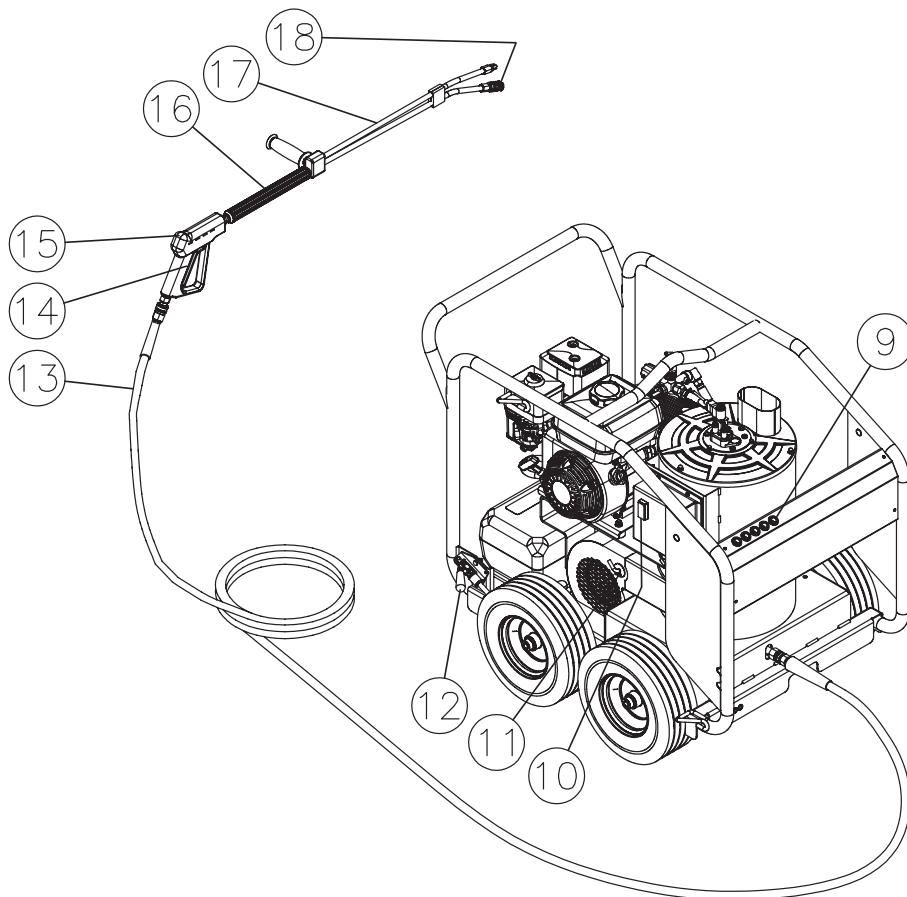
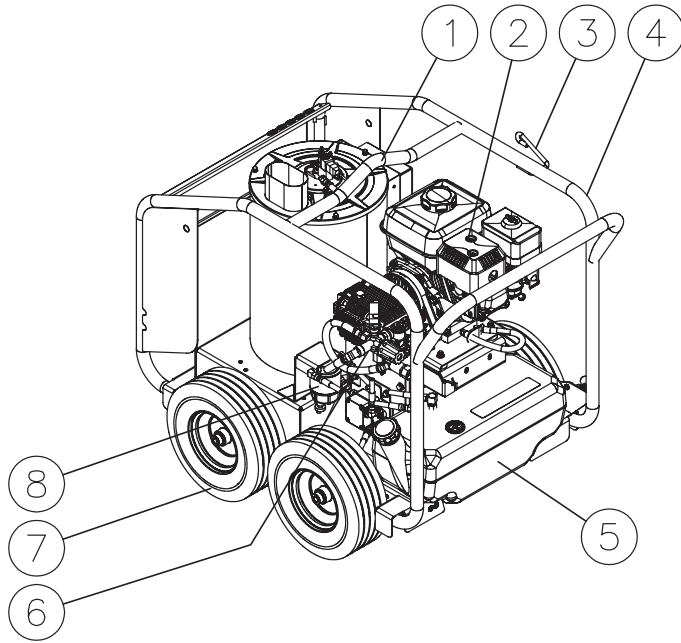
HAZARD	POTENTIAL CONSEQUENCE	PREVENTION
<p><b>RISK OF BODILY INJURY</b></p> 	<p>Serious injury or death may occur from detergents contacting the skin.</p> <p>Serious injury can occur from loose debris being propelled at a high speed from the spray gun.</p> <p>Injury may occur if the operator loses his balance caused by the thrust of water traveling through the spray nozzle.</p> <p>Injury may occur from the pressure washer.</p>	<p>SEEK EMERGENCY MEDICAL CARE if you are using cleaning agents and the spray appears to have penetrated the skin! <b>DO NOT TREAT AS A SIMPLE CUT!</b> Be prepared to tell a physician exactly what kind of detergents you were using by reading the Material Safety Data Sheet (MSDS) provided with your detergent.</p> <p>Never use any solvents or highly corrosive detergents or acid type cleaners with this pressure washer.</p> <p>Protective equipment such as rubber suits, gloves and respirators are advisable, especially when using cleaning detergents.</p> <p>Keep all detergents out of the reach of children!</p> <p>ALWAYS wear protective goggles when operating the unit to shield the eyes from flying debris and detergents.</p> <p>DO NOT direct spray toward fragile materials such as glass for shattering could occur.</p> <p>Stay alert-watch what you are doing. Do not operate the unit when fatigued or under the influence of alcohol or drugs.</p> <p>NEVER squeeze the trigger unless securely braced.</p> <p>DO NOT overreach or stand on unstable support.</p> <p>Wet surfaces can be slippery, wear protective foot gear and keep good footing and balance at all times.</p> <p>NEVER trigger the gun while on a ladder or roof.</p> <p>ALWAYS hold on firmly to the gun/lance assembly when starting and operating the unit. Failure to do so can cause the lance to fall and whip dangerously.</p> <p>Know how to stop the pressure washer and bleed pressures quickly. Be thoroughly familiar with controls.</p> <p>DO NOT leave pressurized unit unattended. Shut off the pressure washer and release trapped pressure before leaving.</p> <p>DO NOT operate the unit if you see any fuel, oil or water leaks from the machine. DO NOT resume operation until the unit has been inspected and repaired by a qualified service person.</p> <p>NEVER run the engine with the governor disconnected or operate at excessive speeds.</p> <p>Place unit in a clean, dry, flat area for servicing. Before servicing the unit: turn the unit off, relieve the water pressure from the trigger gun, and allow the unit to cool down. Service in clean, dry, flat area. If applicable, block wheels to prevent unit from moving.</p> <p>Do not move the unit by pulling on the hose.</p>



**!SAVE THESE INSTRUCTIONS!**



# HSP-SMALL FRAME FEATURES



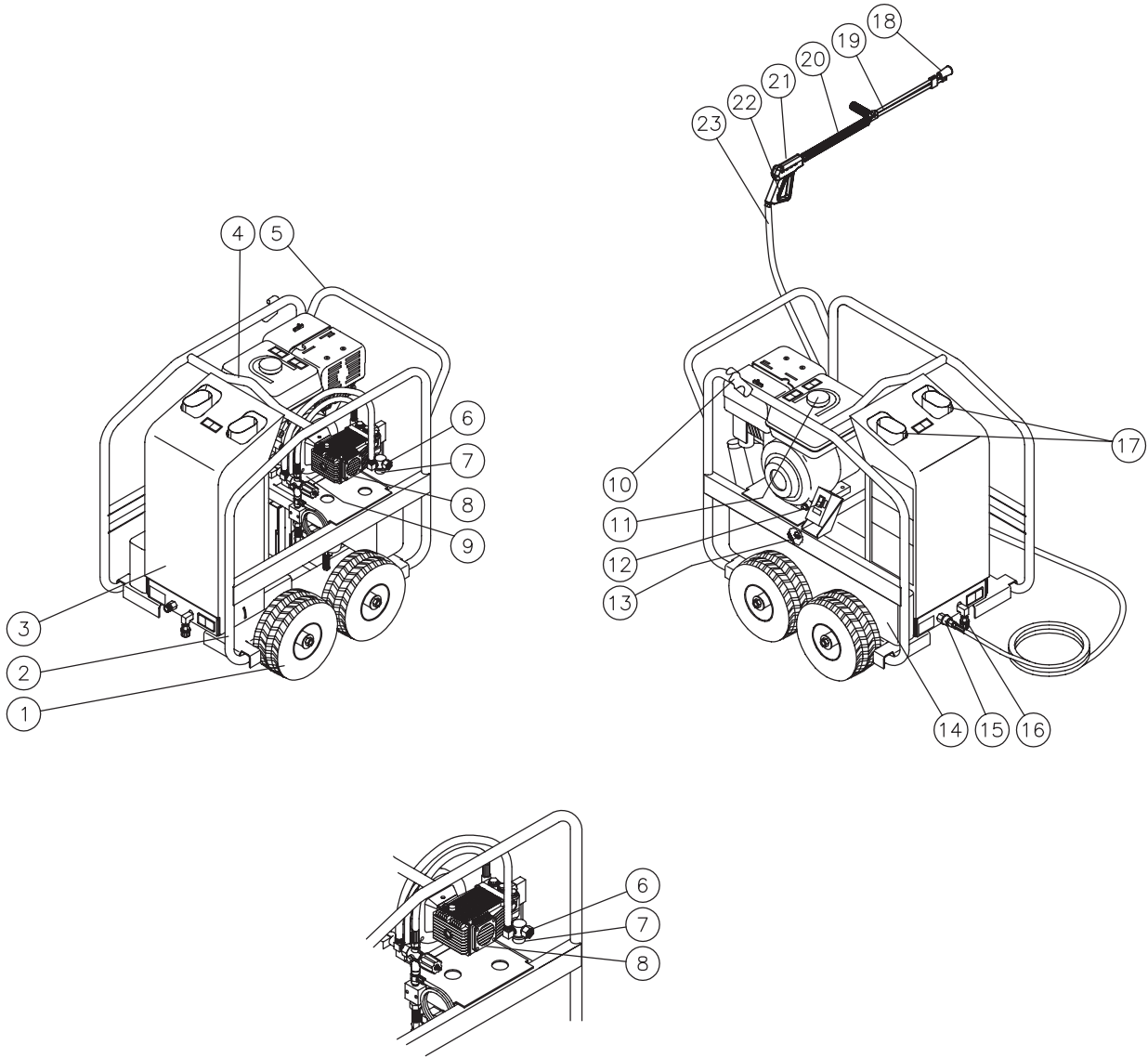
HSP SMALL FEATURES-022713-CH



## FEATURES LISTING

1. Center Balanced Lifting Eye
2. Engine Gasoline Tank
3. Wand Holder
4. Protective Rollcage
5. Burner Fuel Tank
6. High Pressure Pump
7. Flat Free Wheels
8. Fuel Filter/Water Seperator
9. Spray Nozzle Holder
10. Burner On/Off Switch
11. Burner Air Regulation
12. Brake
13. High Pressure Hose
14. Trigger Safety Lock
15. Trigger Gun
16. Insulated Lance
17. Adjustable Pressure Dual Lance
18. Nozzle

# HSP-LARGE FRAME FEATURES



## FEATURES LISTING

1. Pneumatic Wheels
2. Protective Rollcage
3. Protective Cover
4. Center Balanced Lifting Eye
5. Convenient Push/Pull Handle
6. Water Inlet
7. Water Strainer
8. High Pressure Pump
9. Beltguard
10. Wand Holder
11. Engine Gasoline Tank
12. Burner On/Off Switch
13. Air Shutter Adjusting Arm
14. Burner Fuel Tank
15. High Pressure Outlet
16. Coil Drain Assembly
17. Heat Exchanger Exhaust
18. Nozzle
19. Adjustable Pressure Dual Lance
20. Insulated Lance
21. Trigger Gun
22. Trigger Safety Lock
23. High Pressure Hose



## INSTALLATION & PREPARATION

### ATTIRE:

Proper attire is essential to your safety. It is advised to utilize whatever means necessary to protect eyes, ears, and skin. Additional safety attire (such as respiratory mask) may be required when using detergent cleaning agents with this washer.



### **DANGER**

#### **RISK OF EXPLOSION OR FIRE!**

**DO NOT PLACE UNIT IN AN AREA WHERE FLAMMABLE GAS VAPORS MAY BE PRESENT. A SPARK COULD CAUSE AN EXPLOSION OR FIRE!**

#### **RISK OF UNIT BURSTING!**

**DO NOT STORE/OPERATE UNIT IN FREEZING ENVIRONMENTS!**



### **WARNING**

#### **RISK OF ASPHYXIATION!**

**DO NOT OPERATE IN AN ENCLOSED AREA. USE THIS PRODUCT ONLY IN WELL VENTILATED AREAS!**

**THE EXHAUST CONTAINS CARBON MONOXIDE, A POISONOUS, ODORLESS AND INVISIBLE GAS. BREATHING THIS GAS CAN CAUSE SERIOUS INJURY, ILLNESS & POSSIBLE DEATH.**

### SET-UP:

1. This unit should only be placed on a level surface to ensure proper lubrication for the engine and water pump while operating. NEVER spray water directly on the unit.
2. Do not use unit in an area:
  - a. with insufficient ventilation.
  - b. where there is evidence of oil or gas leaks.
  - c. where flammable gas vapors may be present.This unit has multiple ignition sources that could cause an explosion or fire.
3. Be certain to block the wheels to prevent the unit from moving while operating.
4. Do not allow the unit to be exposed to rain, snow or freezing temperatures. If any part of the unit becomes frozen, excessive pressure may build up in the unit which could cause it to burst resulting in possible serious injury to the operator or bystanders.
5. Pump oil level should be checked before each use. Check the oil level indicator on the pump crankcase. Make certain the oil is in the center of the oil sight glass. If the level appears to be low, fill with Mi-T-M pump oil #AW-4085-0016.



### **DANGER**

#### **RISK OF FIRE!**

- DO NOT SMOKE WHILE FUELING!
- DO NOT FILL THE FUEL TANK WHILE UNIT IS RUNNING OR HOT. ALLOW UNIT & ENGINE TO COOL FOR TWO MINUTES BEFORE REFUELING.
- DO NOT FILL FUEL TANK TO POINT OF OVERFLOWING. ALLOW APPROXIMATELY 1/4" OF TANK SPACE FOR FUEL EXPANSION.



### **WARNING**

#### **RISK OF EXPLOSION OR FIRE!**

**ALWAYS STORE FUEL AWAY FROM THE WASHER WHILE THE UNIT IS RUNNING OR HOT.**

### ENGINE/BURNER FUEL TANK:

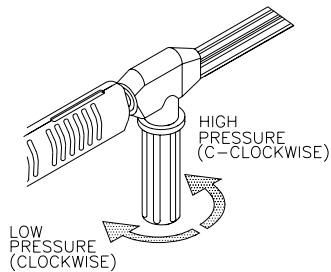
1. Review "Risk of Explosion or Fire" Warnings pg. 4, before fueling.
2. Locate the Safety Decals on your unit and heed their warnings.
3. **Gasoline Engines:** When filling tank, gasoline fuel should be a minimum of 85 octane. DO NOT MIX OIL WITH GASOLINE. Gasoline fuel should be purchased in quantities that may be used within 30 days. Use of clean, fresh lead-free gasoline is recommended. Leaded gasoline may be used if lead-free is unavailable. DO NOT use gasoline containing methanol or alcohol.  
**Burner Fuel:** When filling tank, use No. 1 or No 2 fuel oil/diesel or kerosene.
4. Check the engine oil level before starting the engine. (See Engine manual.)
5. Refer to the Engine Manual supplied with this unit for proper engine adjustment procedures.
6. **Review the engine manual accompanying this pressure washer for correct engine start-up and maintenance procedures.**

## INSTALLATION & PREPARATION

### DUAL LANCE ASSEMBLY WITH ADJUSTABLE PRESSURE:

This unit features a Dual Lance Assembly with adjustable pressure which allows the user to select a high or low pressure "fan" spray. Simply rotate the adjustable grip on the dual lance to achieve the desired pressure selection.

1. Selection of high pressure can be achieved by turning the adjustable grip on the Dual Lance assembly **counterclockwise** as shown in the figure below.
2. Selection of low pressure detergent application can be achieved by turning the adjustable grip on the Dual Lance **clockwise** as shown in the figure below. Once the pressure is low enough, the detergent injector on the pressure washer will draw detergent into the system. A water/detergent mixture exits from both the spray nozzle and detergent nozzle.



### DUAL LANCE CONNECTION:

1. Be certain the trigger gun is locked in the "OFF" position.
2. Connect the dual lance assembly to the trigger gun assembly at this time. Be certain the connection is securely tightened.

### WATER SUPPLY:

1. Select a water supply hose which is a quality grade of garden hose measuring at least 3/4" ID and no longer than 50 feet.
2. Check the water inlet strainer to ensure it is clean and free of any obstructions. As a strainer becomes obstructed, it restricts proper flow of water to the pump. This can result in cavitations which will prematurely cause failure of pump packings.
  - a. Unscrew the strainer cap from the unit.
  - b. Remove the strainer screen and clean, or replace.
3. Connect one end of the water supply hose to the water inlet of the unit. Connect the other end of the hose to your pressurized water supply.

**NOTE:** When connecting the water inlet to the water supply mains, local regulations of your water company must be observed. In some areas, the unit must not be connected directly to the public drinking water supply. This is to ensure there is no feedback of detergents into the water supply. (Direct connection is permitted if a backflow preventer is installed. Check with local authorities for approval.)

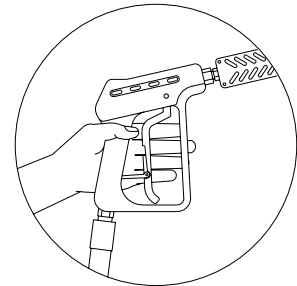
**NOTE:** If the mineral content of the water in your area is extremely high, the use of a water softener is recommended to prevent the possibility of excessive scale buildup inside the heat exchanger coil.

4. Follow the incoming water requirements listed below:
  - a. Water pressure must be a minimum of 20 pounds per square inch (PSI) and a maximum of 125 PSI. (A typical outdoor faucet will generally supply this PSI if turned completely "ON".)
  - b. Incoming GPM must be approximately one gallon more than the outgoing GPM stated on the pressure washer nameplate. (You can check GPM by timing how long it takes to fill a 5 gallon container.)
  - c. Incoming water temperature must not exceed 125°F. Excessive pump damage may result if the water temperature exceeds this acceptable level.
5. Never allow the unit to operate without the incoming water line attached and the water supply is completely turned on.

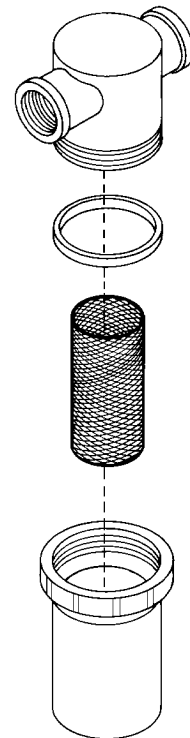
### **WARNING**

#### **RISK OF INJECTION CAUSING SEVERE INJURY!**

- THE TRIGGER GUN SHOULD ALWAYS BE LOCKED IN THE OFF POSITION WHEN NOT IN USE!
- NEVER LOOK DIRECTLY AT THE NOZZLE UNLESS IT IS DISCONNECTED FROM THE TRIGGER GUN/DUAL LANCE ASSEMBLY!



### **WATER INLET STRAINER**



## INSTALLATION & PREPARATION



### **CAUTION**

#### **RISK OF UNIT DAMAGE!**

**DO NOT OVERTIGHTEN THE UNLOADER. BREAKAGE COULD RESULT IN IMMEDIATE LOSS OF WATER PRESSURE AND COSTLY REPAIRS.**

#### **UNLOADER:**

The pressure has been preset at the factory and should only be adjusted by a trained Service Representative.

---

#### **THERMAL RELIEVE VALVE:**

To ensure the water temperature does not exceed acceptable levels, never allow the pressure washer to operate in the bypass mode (with the unit running and the trigger closed) for more than three minutes.

A thermal relieve valve has been added to this unit to protect the pump. It may begin to open and release water if the water temperature in the pump has exceeded 140° F. This will allow fresh, cool water to enter the system, therefore preventing premature failure of pump packings.

---

#### **PRE-START INSPECTION PROCEDURES:**

Before starting the unit, perform the following procedures:

1. Check the oil level in the pump and engine.
2. Inspect the water inlet strainer. Clean or replace if necessary. See "Water Supply", #2, pg 13.
3. Check all hose connections to ensure they are securely tightened. See "Water Supply", #3, pg. 13.
4. Inspect for system water leaks, oil leaks and fuel leaks. If a fuel leak is found, DO NOT START UNIT! See "Risk of Explosion or Fire", pg. 4. Be sure that all damaged parts are replaced and that the mechanical problems are corrected prior to operation of the unit. If you require service, contact Customer Service.
5. Inspect high pressure hoses for kinking, cuts and leaks. If a cut or leak is found, DO NOT USE HOSE! Replace hose before starting unit. See "Risk of Injection" pg. 5. Be sure that all damaged parts are replaced and that the mechanical problems are corrected prior to operation of the unit. If you require service, contact Customer Service.

## END OF PREPARATION INSTRUCTIONS

# **WARNING**

**THE FOLLOWING PAGES CONTAIN OPERATING AND MAINTENANCE INSTRUCTIONS.**

**DO NOT ATTEMPT TO OPERATE THIS PRESSURE WASHER UNTIL YOU HAVE READ AND UNDERSTOOD ALL SAFETY PRECAUTIONS AND INSTRUCTIONS LISTED IN THIS MANUAL.**

**INCORRECT OPERATION OF THIS UNIT CAN CAUSE SERIOUS INJURY!!**

**DO NOT ALTER OR MODIFY THIS EQUIPMENT IN ANY MANNER!**

# OPERATING INSTRUCTIONS



## CAUTION

### RISK OF UNIT DAMAGE.

BE CERTAIN THE HOSE, GUN & DUAL LANCE ASSY. ARE NOT CONNECTED TO THE UNIT WHILE PRIMING THE PUMP. PRIMING ALLOWS MINERAL DEPOSITS TO BE RELEASED FROM THE SYSTEM WHICH WOULD OBSTRUCT OR DAMAGE THE GUN AND NOZZLE ASSEMBLY RESULTING IN COSTLY REPAIRS.

### PRIMING THE PUMP:

It is essential to prime the pump and flush the unit each time the water supply has been disconnected from the unit OR whenever the unit has set for any period of time. This unit has a steel coil which, after setting, will cause the water remaining in the coil from the previous usage to turn brown or black. This contaminated water must be flushed from the system before start-up. This procedure should be performed **without** the high pressure hose, gun and dual lance assembly installed.

#### **DIRECT FEED:** All units.

1. Turn on the water supply.
2. Low pressure water will begin flowing from the water outlet. This allows the unit to prime and purge any air from the system. The unit is primed when water flow is uninterrupted by air.
3. Once the unit is primed, turn off the water supply and connect the high pressure discharge hose to the water outlet of the unit. (Note: The trigger gun and dual lance assembly should already be connected to the high pressure discharge hose at this time.)
4. Turn on the water supply.



## DANGER

### RISK OF INJECTION CAUSING SEVERE INJURY!

-KEEP CLEAR OF NOZZLE! NEVER PLACE HAND OR FINGERS IN FRONT OF NOZZLE!  
-DO NOT DIRECT DISCHARGE STREAM AT PEOPLE OR PETS!

### START-UP/COLD WATER OPERATION:

1. Refer to the "Safety Precautions" pgs. 4-7 before starting the unit.
2. Locate the Safety Decals on your unit and heed their warnings.
3. Ensure the burner switch is in the "OFF" position.
4. Pointing the trigger gun in a safe direction, unlock the trigger gun and squeeze the trigger. Hold the trigger gun open while starting the engine according to the manufacturer's instructions in the engine manual accompanying this unit.
5. Once the engine has started, ensure the engine throttle is adjusted to full RPM and perform the following procedures with the trigger gun open:
  - a. Inspect for system water leaks, oil leaks and fuel leaks. If a fuel leak is found, TURN UNIT OFF IMMEDIATELY! See "Risk of Fire", pg. 4. Be sure that all damaged parts are replaced and that the mechanical problems are corrected prior to operation of the unit. If you require service, contact Customer Service.
  - b. Inspect high pressure hoses for kinking, cuts and leaks. If a cut or leak is found, DO NOT TOUCH HOSE AT LEAK!!! TURN UNIT OFF IMMEDIATELY! Replace hose before starting the unit. See "Risk of Injection", pg. 5. Be sure that all damaged parts are replaced and that the mechanical problems are corrected prior to operation of the unit. If you require service, contact Customer Service.
6. At this point, the unit is operating as a cold water pressure washer. Trigger the gun several times and try adjusting the water pressure. NEVER place hand or fingers in front of the nozzle or look directly into the nozzle! High pressure water creates a risk of severe injury!
7. Do not allow unit to operate in bypass mode (with trigger closed) for more than three minutes without triggering the gun. Failure to follow this simple rule can cause premature failure of pump packings, resulting in costly pump repair.
8. Your pressure washer can deliver high pressure spray and a variety of spray patterns using cold water. If you wish to use the Hot Water application or Cleaning with Detergents, see page 17 for the correct procedures.



## CAUTION

### RISK OF DAMAGE.

DONOT ALLOW SPRAY PATTERN TO REMAIN ON A FIXED AREA FOR AN EXTENDED PERIOD OF TIME. POSSIBLE DAMAGE MAY OCCUR TO THE AREA.



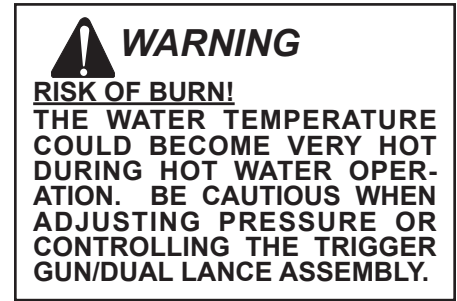
# OPERATING INSTRUCTIONS

## HOT WATER OPERATION:

1. Follow the steps outlined for "START-UP/COLD WATER OPERATION".
2. Move the Burner Switch to the ON position. On initial start-up, water will begin turning hot in approximately 20 seconds and will reach maximum temperature in approximately 2-1/2 minutes, provided the trigger remains squeezed. The burner will stop firing when the trigger is released.

**NOTE:** While spraying, it is normal for the burner to fire intermittently. The high-limit switch will cause combustion to cease when the temperature of the discharged water exceeds the maximum temperature setting of the switch. Combustion will begin again when the temperature drops below the minimum setting.

At this point, the unit is operating as a hot water pressure washer. Be certain to be extremely cautious when adjusting the pressure and controlling the trigger gun/dual lance assembly to avoid the possibility of burns.



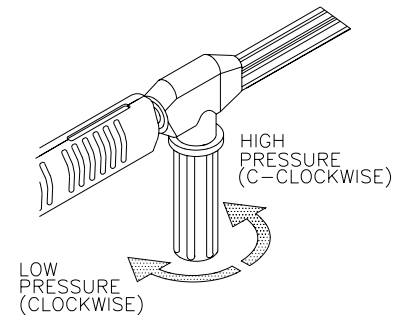
## CLEANING WITH DETERGENTS UNDER LOW PRESSURE:

**NOTE:** This feature is designed for use with mild detergents only. Since the cleaning solution travels through the heat exchanger coil, DO NOT use corrosives as they will cause extensive damage as well as pose a considerable safety hazard.

1. Refer to "Risk of Bodily Injury/Detergents" pg. 7. Be certain to wear protective safety attire as stated on pg. 12.
2. Prepare detergent solution according to label directions. (Never pump acids, alkalines, abrasive fluids or solvents through the unit. Due to the unknown and often corrosives characteristics of many detergents commonly used in the pressure washer cleaning industry, it is recommended to use only Mi-T-M detergents with this unit.)
3. Fully immerse the *strainer end* of the clear vinyl detergent hose into the detergent solution.
4. Adjust the amount of detergent desired by locating the adjustment knob at the end of the clear vinyl hose. Turn the knob completely counterclockwise to set at maximum siphon rate. Be certain the adjustable grip on the dual lance is turned completely **clockwise** for low pressure detergent operation.

**NOTE:** This injection system is designed to apply detergents under low pressure only. It will not allow detergent solutions to be introduced into the system unless the dual lance is set in the low pressure mode.

5. To apply solution; unlock the trigger gun and squeeze the trigger. In a few moments a detergent/water mixture will exit the nozzle. Start spraying the lower portion of the surface being cleaned and move up, using long overlapping strokes. Applying from the bottom up helps avoid streaking. Allow to soak briefly. Avoid working on hot surfaces or in direct sunlight to minimize the chances of the detergent drying, which may result in damaging surfaces. Be certain to clean a small section at a time.
6. To rinse; lock the trigger gun in the "OFF" position, rotate the adjustable grip on the dual lance **counterclockwise** for high pressure. Unlock the trigger gun and spray. It will take about 30 seconds to purge all detergent from the line. For best rinsing results, start at the top and work down.
7. Siphon a gallon of water through the low pressure detergent injection system after each use. This prevents the possibility of corrosion or detergent residue causing mechanical problems during the next use.



## SHUT-DOWN:

1. Move the burner switch to the OFF position.
2. Squeeze the trigger and discharge the water for a period of three minutes to cool the heat exchanger and high pressure hose. (Insufficient cool down period of the high pressure hose will cause excessive wear and eventual rupturing of the hose.)
3. **DO NOT close the choke to stop the engine.** Backfire or engine damage may occur.
4. Move the engine On/Off Switch to the "off" position.
5. Close the engine fuel shut-off valve.
6. Turn off the water supply and trigger the gun momentarily to relieve trapped pressure.
7. Disconnect and store hoses. Store unit in a non-freezing environment.

## STORAGE & MAINTENANCE

### SPECIFIC MAINTENANCE:

**ENGINE:** The engine instruction manual accompanying your unit, lists specific procedures for maintenance of the engine. Following the engine manufacturer's recommendations will extend engine life.

**PUMP:** Change the pump oil after the first 50 hours of operation. After initial change, every 3 months or 250 hour intervals are recommended. If oil appears dirty or milky, changes may be required in greater frequency. Use Mi-T-M pump oil #AW-4085-0016 and fill only to the center of the oil sight glass. DO NOT overfill.

**COUPLERS:** There are o-ring seals inside the couplers which will deteriorate. To replace, simply install a replacement o-ring to correct the leak. (Additional o-rings can be purchased from your dealer.)

**NOZZLE:** Water flow through the spray nozzle will erode the orifice, making it larger, resulting in a pressure loss. Nozzles should be replaced whenever pressure is less than 85% of the maximum. The frequency of replacement will depend upon such variables as mineral content in the water and number of hours the nozzle is used.

**FUEL WATER SEPARATOR:** The fuel filter has a built in water separator. Occasionally the water has to be drained from the separator.

Follow the procedures listed below:

1. Check the collection bowl daily.
2. Ensure the unit is off and place an oil catch basin under the fuel cartridge.
3. Loosen the drain plug to allow the fuel/water contaminants to flow into the catch basin.
4. Retighten the drain plug when completed.
5. Dispose of drainage according to environmental regulations in your area.

**BURNER AIR ADJUSTMENT:** The air shutter has been factory preset for proper operation between sea level and 2000 feet elevation at standard conditions (60°F ambient water and air temperatures). To assure maximum combustion efficiency at colder temperatures and higher altitudes, it will be necessary to adjust the air supply to the combustion chamber. A smoke spot test is recommended during any air shutter adjustment. This will aid in maximizing the burner efficiency and avoid inefficient operation and excessive sooting of the combustion chamber.

1. The machine must be running and the burner ON.
2. Take a smoke spot test to determine if more or less air is required for proper combustion.
  - a. If the test is greater than a #3 smoke, turn the shutter arm **counterclockwise** to increase the air flow into the combustion chamber.
  - b. If the test is yellowish in color, turn the shutter arm **clockwise** to decrease the air flow into the combustion chamber.
3. Hold onto the air shutter adjusting arm and loosen the locking nut. Move the shutter in 1/8" increments and retighten the locking nut after each 1/8" movement.
4. Trigger the gun on and off slowly to make sure there is proper ignition. Slight or no puffing on the ignition, and a smoke spot test of less than #3 smoke is good.
5. Repeat steps 2 and 3 until step 4 is attained.

**LEAKS:** Promptly eliminate any leaks found in the pumping system by removing suspect parts, applying thread sealant to the threads and reinstalling.

**NOTE:** *If using teflon tape, be certain no tape gets inside any plumbing to prevent the possibility of a plugged spray nozzle.*

## STORAGE & MAINTENANCE

### WINTERIZING:

For storage and transportation purposes in subfreezing ambient temperatures, it will be necessary to winterize this unit. This unit must be protected to the lowest incurred temperature for the following reasons:

1. If any part of the pumping system becomes frozen; excessive pressure may build up in the unit which could cause the unit to burst resulting in possible serious injury to the operator or bystanders.
2. The pumping system in this unit may be permanently damaged if frozen. FREEZE DAMAGE IS NOT COVERED BY WARRANTY.

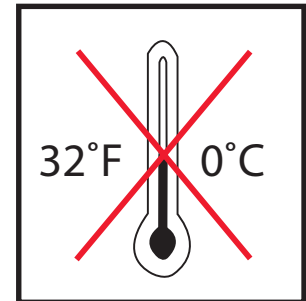
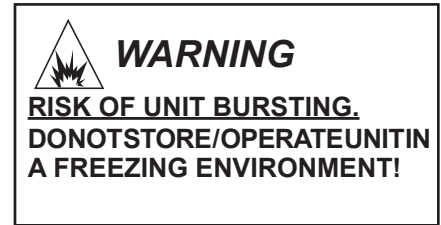
If you must store your unit in an area where the temperature may fall below 32°F, you can protect your unit by following the procedure outlined below.

1. Gather the following items:
  - a. Two 5 gallon containers.
  - b. One gallon of antifreeze. (Use an environmentally safe antifreeze.)
  - c. Water supply.
  - d. Three foot hose, 1/2-3/4 I.D. with a 3/4 inch male garden hose fitting.
2. Procedure:
  - a. To start winterizing, unit must be primed and run according to the "Start-up/Cold Water Procedures" listed on page 16.
  - b. After priming and running, shut off the unit and water supply.
  - c. Relieve system pressure by pointing the trigger gun in a safe direction and squeezing the trigger until water flow ceases to exit the Dual Lance Assembly.
  - d. Lock the trigger gun in the OFF position and remove the Dual Lance assembly.
  - e. Remove the water supply hose from the unit and attach the 3 foot hose securely to the inlet connection.
  - f. Shut off the detergent injector.
  - g. Fill one 5 gallon container with water.
  - h. Holding the 3 foot hose in an upright position, completely fill the hose with water. Then plug the hose outlet with your thumb or finger. Place the plugged end into the 5 gallon container of water.
  - i. Start the unit. Trigger the gun several times until all the air is worked out of the system (unit is primed). It may be necessary to adjust the engine RPM down to an idle to aid in priming.

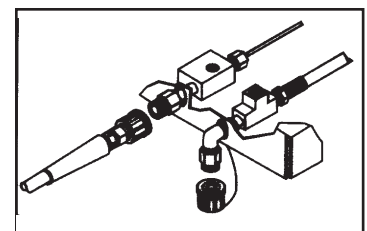
**NOTE:** Proper winterizing is based on the recommended manufacturer's instructions listed on the "Protection Chart" shown on the back label of most antifreeze containers.

- j. With the trigger gun held open, siphon enough water out of the 5 gallon container until there is just enough water left to mix with the antifreeze.
  - k. Point the trigger gun into the empty container.
  - l. Trigger the gun until the antifreeze begins to exit the trigger gun. Release the trigger for 3 seconds, then trigger the gun for 3 seconds. Continue cycling the trigger gun several times until all the antifreeze mixture is siphoned from the container.
  - m. Detach the 3 foot hose from the unit and drain any excess antifreeze back into the 5 gallon container.
  - n. Disconnect the hose and trigger gun from the unit and drain any excess antifreeze back into the 5 gallon container.
  - o. Store the hose, trigger gun and dual lance assembly with the unit in a safe area.
  - p. Store antifreeze solution for next use or dispose of according to state EPA laws.
3. Optional Procedure:
    - a. Shut the unit and water supply off.
    - b. Relieve system pressure by pointing the trigger gun in a safe direction and squeezing the trigger until water flow ceases to exit the nozzle.
    - c. Disconnect and drain the hose, trigger gun and dual lance assembly.
    - d. Remove the hose from the inlet side of the heat exchanger coil.
    - e. Start the unit and allow it to run until all the water exits the unit. Once the water has stopped flowing from the unit, turn off.

**NOTE:** When using this procedure, caution should be used as ice chips can form from drops of water which could cause the unit to burst if starting before completely thawed.



**COIL DRAIN PLUG**



## TROUBLESHOOTING

SYMPTOM	PROBABLE CAUSE	REMEDY
Engine will not start.	Various engine problems.	Refer to the Engine Manual accompanying your unit.
	Unit components are frozen.	Allow to thaw. If any part of the unit becomes frozen; excessive pressure may build up in the unit which could cause the unit to burst resulting in possible serious injury to the operator or bystanders.
No discharge at nozzle when trigger mechanism is squeezed.	Inadequate water supply.	Ensure hose is 3/4" diameter and incoming water supply is turned on.
Low or fluctuating pressure.	Kink in water inlet hose.	Remove kink.
	Kink in high pressure discharge hose.	Replace kinked high pressure hose.
	Water inlet screen obstructed.	Remove screen, clean or replace.
	Pump sucking air. (Prime eliminated)	Tighten all water intake connections Eliminate leaks in intake line.
	Adjustable Grip on Dual Lance is not in high pressure mode.	Turn grip <b>counterclockwise</b> to high pressure.
	Obstructed or worn spray nozzle.	Remove, clean or replace.
	Damaged or obstructed valve assy. on pump.	Remove, inspect, clean or replace.
	Pump packings worn.	Replace packings.
Water is leaking from Heat Dump Valve.	Unloader/Bypass valve not operating correctly.	Repair or replace.
	Water temperature is too high.	Do not allow unit to operate in bypass mode (with the trigger gun closed) for more than three minutes.
	Defective valve.	Replace.
Oil appears milky or foamy.	Water in oil.	Change pump oil. Fill to proper level.
Oil leaking from unit.	Worn seals or o-rings.	Contact Service.
Detergent will not siphon into Low Pressure Detergent mode.	Detergent strainer is not completely submerged in detergent solution.	Check, submerge if necessary.
	Detergent strainer obstructed.	Inspect, clean or replace.
	Detergent hose cut, obstructed or kinked.	Inspect, clean or replace.
	Detergent adjusting knob turned to closed position.	Open adjusting knob. Refer to "Cleaning with Detergents" pg. 17.
	Adjustable grip on dual lance is not in low pressure mode.	Turn grip <b>clockwise</b> to move to low pressure.
	Nozzle assembly is plugged.	Clean or replace.
	Too many high pressure hose extensions attached to the water outlet.	Use one extension maximum.
Water flows back into detergent container.	Ball & Spring in Venturi stuck.	Remove, clean or replace.
	Ball & Spring in Venturi reversed, missing or corroded.	Remove, clean or replace.
Water flows from the nozzle when the trigger gun is locked in the "OFF" position.	Trigger gun is malfunctioning.	Repair or replace.

## TROUBLESHOOTING

SYMPTOM	PROBABLE CAUSE	REMEDY
Water is leaking under heat exchanger coil.	Coil drain plug is not installed.	Install.
	Safety relief device is relieving caused by an unloader or pressure switch problem.	<ol style="list-style-type: none"> <li>1. Detect and correct unloader or pressure switch problem.</li> <li>2. Replace safety relief device. NEVER run unit without safety relief device. Doing so can cause an explosion!</li> </ol>
Burner will not ignite	Burner switch is not turned on.	Check switch position.
	Out of fuel.	Refuel.
	Trigger gun is closed.	Open trigger gun for pressure.
	EMF Drive belt loose or broken.	Adjust or replace as necessary.
	Flexible coupler broken.	Replace.
	Dirty or clogged fuel filter/water sep.	Drain or replace as necessary.
	Fuel pump sucking air.	Tighten all fuel intake connections. Eliminate leaks in intake line.
	Fuel pump inoperative.	Check pressure, replace if needed.
	Fuel pickup screen is obstructed.	Consult Service.
	Dirty or clogged fuel nozzle.	Replace fuel nozzle.
	Ignition module.	Consult Service.
	Ignition electrodes damaged or worn.	With unit running and trigger gun closed, look through burner sight glass to ensure there is sparking across electrodes.
	No voltage.	Consult Service.
	Pressure switch override.	Pressure should be over 250 PSI/ 18 Bar to allow burner to come on.
	High limit switch override.	Allow unit to cool down before reigniting.
	Improper burner air adjustment.	Adjust as shown on page 18.
Burner runs erratically.	Fuel solenoid valve failure.	Replace.
	Water in the fuel oil.	Drain fuel filter/water separator, drain fuel tank and replace with clean fuel.
	Dirty fuel filter/water separator.	Replace element.
	Dirty fuel nozzle.	Replace.
	Improper air adjustment setting.	Adjust as shown on page 18.
	Fuel pickup screen is obstructed.	Consult Service.
Burner runs, but will not heat.	Fuel pump malfunctioning.	Replace.
	Poor or improper fuel supply.	Check fuel to ensure it is correct. Drain tank and filter if necessary and refill with proper fuel.
	Low fuel pump pressure.	Check fuel pump pressure, replace if needed.
	Dirty fuel nozzle.	Replace.
	Improper air adjustment setting.	Adjust as shown on page 18.
	Fuel pickup screen is obstructed.	Consult Service.
Burner discharges white smoke.	Scale build up in heat exchanger coil.	Consult Service.
	Low on fuel.	Refuel. If white smoke persists, consult Service.
	Excessive air supply.	Adjust as shown on page 18.
Burner discharges black smoke.	Insufficient air supply.	Adjust as shown on page 18.

## MAINTENANCE CHART

PROCEDURE	DAILY	3 MONTHS	6 MONTHS	9 MONTHS	12 MONTHS
Check engine oil level	X				
Change engine oil****		X	X	X	X
Check water pump oil level	X				
Change water pump oil **		X	X	X	X
Oil leak inspection	X				
Fuel leak inspection	X				
Water leak inspection	X				
Hose inspection	X				
Water inlet filter inspection	X				
Check fuel filter/water separator	X				
Inspect belt		X	X	X	X
Replace high pressure nozzle***		X	X	X	X
Replace fuel filter/water separator					X
Inspect fuel pump filter*					X
Replace fuel nozzle*					X
Check burner air adjustment		X	X	X	X
Check burner electrodes*					X
Test water pressure*		X	X	X	X
Test fuel pressure*		X	X	X	X
Test water temperature*		X	X	X	X
Descale coil****					X

\* Must be performed by an authorized service technician.

\*\* The pump oil must be changed after the first 50 hours of operation and every 250 hours or 3 months, whichever comes first.

\*\*\* High pressure nozzle should be replaced whenever pressure is less than 85%.

\*\*\*\* Scale build-up will vary with mineral content in the water and amount of usage. Descaling can range from monthly to yearly maintenance.

\*\*\*\*\* The engine oil must be changed after the first 8 hours of operation and every 50 hours or 3 months, whichever comes first.

## ACCESSORIES

		HSP-2503	HSP-3003	HSP-3004	HSP-3504
15-0006	SUPPLY HOSE 3/4"	X	X	X	X
50-0136	HOSE REEL 13" (HOLDS 100' OF HOSE)	X	X	X	X
50-0137	HOSE REEL 16" (HOLDS 200' OF HOSE)	X	X	X	X
AW-0050-0138	BRACKET FOR HOSE REEL (UNIVERSAL)	X	X	X	X
852-0138	JUMPER HOSE FOR HOSE REEL (4000 PSI)		X	X	X
852-0139	JUMPER HOSE FOR HOSE REEL (4000 PSI)	X			
AW-3000-0035	SANDBLASTER NOZZLE *	X	X		X
AW-3000-0004	SANDBLASTER NOZZLE *			X	
AW-4085-0016	PUMP OIL	X	X	X	X
AW-7004-0045	ROTATING NOZZLE (.045 / 5000 max) *	X	X	X	X
AW-7003-1500	ROTATING BRUSH *	X	X	X	X
AW-7018-1200	EXTENSION WAND 12' ** (3000PSI)	X	X	X	
AW-7018-1800	EXTENSION WAND 18' ** (3000PSI)	X	X	X	
AW-7018-2400	EXTENSION WAND 24' ** (3000PSI)	X	X	X	
AW-7020-8003	ROTARY SURFACE CLEANER ** (20" 4000 PSI)	X	X	X	X
AW-7020-8001	ROTARY SURFACE CLEANER ** (28" 4000 PSI)	X	X	X	X
AW-7025-8000	25" POWER BROOM (5- 80° NOZZLES) */**	X	X	X	X
AW-7035-8000	35" POWER BROOM (7- 80° NOZZLES) */**	X	X	X	X

\*Requires 17-0028 1/4" female quick connect.

\*\*Requires 17-0004 3/8" female quick connect.

\*\*\*PSI and GPM must be specified when ordering.

All Purpose Cleaner, Paint Surface Prep, House & Deck Wash and Heavy Duty Degreaser are specially formulated detergents for use with all HSP pressure washers and are packaged in One (1), Five (5) and Fifty-five (55) gallon containers. Contact Customer Service Department at (800)-553-9053 for more information.



## STATEMENT OF WARRANTY

Mi-T-M warrants all parts, (except those referred to below), of your new Mi-T-M HSP-Series Pressure Washer to be free from defects in materials and workmanship during the following periods:

- For Lifetime (Limited) against freezing and cracking:
  - Pump Manifold
- For Seven (7) Years from the date of original purchase:
  - High Pressure Pump
- For Three (3) Years from the date of original purchase:
  - Heat Exchanger Coil
- For One (1) Year from the date of original purchase:
  - Frame
  - Guard or Shields
  - Plumbing
  - Pulley
  - EMF System
- For Ninety (90) days from the date of original purchase:
  - Control Switches
  - Regulating Valve
  - Unloader Valve
  - Fuel Solenoid
  - High Limit Thermostat
  - Pressure Switch
  - Safety Switches
  - Fuel Pump
  - Electrodes
  - Safety Relief Valve
  - Temperature Switch
- For Thirty (30) day from the date of original purchase:
  - High Pressure Hose
  - Strainers / Filters
  - Trigger Gun
  - Wand

Defective parts not subject to normal wear and tear will be repaired or replaced at our option during the warranty period. In any event, reimbursement is limited to the purchase price paid.

### EXCLUSIONS

1. Engine is covered under separate warranty by its respective manufacturer and is subject to the terms set forth therein.
2. Normal wear parts:
  - Pump Packings
  - Pump Valves
  - Detergent Valves
  - O-rings
  - Spray Nozzles
  - Screw Connectors/Quick Couplings
  - Fuel Filters
  - Belts
3. This warranty does not cover parts damaged due to normal wear, misapplication, misuse, operation at other than recommended speeds, pressures or temperature. Parts damaged or worn because of the use of caustic liquids or by operation in abrasive or corrosive environments or under conditions causing pump cavitation are not warranted. Failure to follow recommended operating and maintenance procedures also voids warranty.
4. The use of other than genuine Mi-T-M Repair Parts will void warranty. Parts returned, prepaid to our factory or to an Mi-T-M Authorized Service Center will be inspected and replaced free of charge if found to be defective and subject to warranty. There are no warranties which extend beyond the description of the face hereof. Under no circumstances shall Mi-T-M bear any responsibility for loss of use of the unit, loss of time or rental, inconvenience, commercial loss or consequential damages.




---

**NOTES**


# TABLA DE CONTENIDO

Introducción .....	27
<b>Advertencias de seguridad importantes .....</b>	<b>28-31</b>
Riesgo de explosión o incendio .....	28
Riesgo de asfixia .....	29
Riesgo de inyección o lesión por cortadura severa .....	29
Riesgo de electrocución o choque eléctrico .....	29
Riesgo de quemaduras .....	29
Riesgo de explosión .....	30
Riesgo por piezas en movimiento .....	30
Riesgo de lesiones .....	31
<b>Características .....</b>	<b>32-35</b>
HSP-Base Pequeño .....	32-33
HSP-Base Grande .....	34-35
<b>Instalación y preparación .....</b>	<b>36-38</b>
Vestimenta .....	36
Preparación inicial .....	36
Tanque del combustible de motor/quemador .....	36
De varilla doble con presión ajustable .....	37
Conjunto de varilla doble con presión ajustable .....	37
Conexión de varilla doble .....	37
Suministro de agua .....	37
Descargador .....	38
Válvula de disipación de calor .....	38
Procedimientos de inspección antes del encendido .....	38
<b>Instrucciones de operación .....</b>	<b>39-40</b>
Cebado de la bomba .....	39
Arranque/Operación con agua fría .....	39
Operación con agua caliente .....	40
Limpieza con detergentes baja presión .....	40
Apagado .....	40
<b>Almacenaje y mantenimiento .....</b>	<b>41-44</b>
Mantenimiento específico .....	41
Tabla de mantenimiento .....	42
Acondicionamiento para el invierno .....	43-44
<b>Diagnóstico y solución de fallas .....</b>	<b>45-48</b>
<b>Accesorios .....</b>	<b>49</b>
<b>Nota .....</b>	<b>50</b>
<b>Informe de garantía .....</b>	<b>51</b>

## ADVERTENCIA

 **ADVERTENCIA:** Este producto puede exponerlo a productos químicos, incluido el plomo, que el Estado de California conoce a causar cáncer y defectos congénitos u otros daños reproductivos. Para obtener más información, visite [www.P65Warnings.ca.gov](http://www.P65Warnings.ca.gov)

## ADVERTENCIA

 **ADVERTENCIA:** Este producto puede exponerlo a químicos incluyendo carbon monoxide, que es conocido por el Estado de California como causante de defectos de nacimiento u otros daños reproductivos. Para mayor información, visite [www.P65Warnings.ca.gov](http://www.P65Warnings.ca.gov).

# INTRODUCCIÓN

Felicitaciones por haber adquirido su nueva lavadora a presión de agua caliente Mi-T-M, con el Sistema de Encendido Electromagnético (EMF) patente. Puede estar seguro de que su lavadora a presión de agua caliente Mi-T-M fue construida y diseñada pensando en la calidad y la eficacia de funcionamiento. Cada componente ha sido probado rigurosamente para asegurar el nivel más alto de confiabilidad.

Este manual del operador fue preparado para su beneficio. Si lee y sigue los sencillos pasos de seguridad, instalación, operación y mantenimiento, así como de diagnóstico y solución de fallas que se describen en este manual, su nueva lavadora a presión de agua caliente Mi-T-M le ofrecerá muchos años de operación sin problemas. El contenido de este manual se basa en la información más reciente del producto, disponible al momento de la publicación. Mi-T-M se reserva el derecho de hacer cambios de precio, color, materiales, equipo, especificaciones o modelos en cualquier momento sin previo aviso.

## ¡IMPORTANTE!

Estos párrafos están rodeados por un “CUADRO DE AVISO DE SEGURIDAD”. Este cuadro se usa para especificar y enfatizar las advertencias de seguridad que se deberán cumplir al operar esta lavadora a presión. Junto con las Advertencias de Seguridad se encuentran “palabras clave” que designan el grado o nivel de riesgo. Las “palabras clave” usadas en este manual son las siguientes:

**PELIGRO:** Indica una situación inminentemente peligrosa que, de no evitarse, CAUSARÁ lesiones graves o fatales.

**ADVERTENCIA:** Indica una situación potencialmente peligrosa que, de no evitarse, PODRÍA causar lesiones graves o fatales.

**PRECAUCIÓN:** Indica una situación potencialmente peligrosa que, de no evitarse, PODRÍA causar una lesión menor o moderada.



Los símbolos a la izquierda de este párrafo son “símbolos de aviso de seguridad”. Estos símbolos se usan para señalar puntos o procedimientos que podrían ser peligrosos para usted o para otras personas que usen este equipo.



Siempre proporcione una copia de este manual a quien use este equipo, lea todas las instrucciones antes de operar esta lavadora a presión y especialmente señale las “advertencias de seguridad” para prevenir posibles lesiones al operador. ¡Sólo los operadores que estén capacitados deben usar este producto!



Una vez que haya sacado la unidad de su caja, anote inmediatamente el número de serie en el espacio proporcionado a continuación.

Número de serie: \_\_\_\_\_

Debe inspeccionar el equipo para determinar si hay señales de daño evidente u oculto ocurrido durante la transportación. Si se encuentra algún daño, presente una queja con la compañía de transportación inmediatamente. Asegúrese de que todas las partes dañadas sean reemplazadas y que los problemas mecánicos y eléctricos sean corregidos antes de operar la unidad. Si requiere de servicio, llame a la oficina de servicio a clientes de Mi-T-M.

## SERVICIO A CLIENTES

**LLAME A NUESTRO NUMERO TELEFÓNICO DE LARGA DISTANCIA GRATUITA PARA AVERIGUAR CUAL ES EL CENTRO DE VENTAS O SERVICIO MÁS CERCANO A USTED!**

(800)-553-9053

Por favor, prepare la siguiente información cada vez que efectúe una llamada de servicio:

1. Número de modelo
2. Número de serie
3. Fecha y lugar de compra

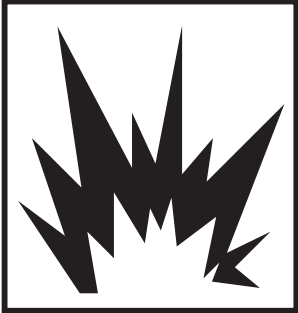



## ADVERTENCIAS DE SEGURIDAD

Lea todas Las advertencias de seguridad antes de usar la lavadora a presión



**PELIGRO:** Deben observarse siempre las precauciones basicas, incluyendo las siguientes.

PELIGRO	POSIBLE CONSECUENCIA	PREVENCIÓN
<p data-bbox="136 247 367 327"><b>RIESGO DE EXPLOSIÓN O INCENDIO</b></p>  	<p data-bbox="423 247 813 380">Pueden ocurrir lesiones graves o fatales ocasionadas por chispas normales en las fuentes de ignición múltiples o en el escape del motor y del quemador.</p> <p data-bbox="423 527 813 632">Pueden ocurrir lesiones graves o fatales como consecuencia de un procedimiento inadecuado al reabastecer de combustible.</p> <p data-bbox="423 1234 813 1367">Pueden ocurrir lesiones graves o fatales como consecuencia de un incendio al ras de tierra ocasionado por una chispa del silenciador.</p> <p data-bbox="423 1486 813 1598">Pueden ocurrir lesiones graves o fatales si no se mantienen correctamente los dispositivos de seguridad del sistema.</p>	<p data-bbox="846 247 1479 327">Siempre opere la lavadora en una área bien ventilada libre de vapores inflamables, polvo combustible y gases o materiales combustibles.</p> <p data-bbox="846 342 1479 447">No almacene la lavadora a presión cerca de una llama abierta o equipo como hornos, calefactores, calentadores de agua, etc., que usen una llama piloto o dispositivo de encendido por chispa.</p> <p data-bbox="846 462 1479 516">¡No use esta lavadora a presión para atomizar material inflamable!</p> <p data-bbox="846 531 1479 558">No fume mientras llene los tanques de combustible.</p> <p data-bbox="846 573 1479 678">Nunca llene los tanques de combustible mientras el motor aún esté en marcha o esté caliente. Permita que el motor se enfríe dos minutos antes de volver a cargar combustible.</p> <p data-bbox="846 693 1479 747">No llene los tanques de combustible en interiores o en una área con poca ventilación.</p> <p data-bbox="846 762 1479 842">Siempre vierta el combustible lentamente para evitar la posibilidad de un derrame, lo cual podría provocar un incendio.</p> <p data-bbox="846 856 1276 884"><b>Tanque de combustible del motor:</b></p> <p data-bbox="862 884 1479 963">Si se usa un motor de gasolina, llene únicamente con gasolina. No use diesel ni petróleo o aceite combustible.</p> <p data-bbox="846 978 1430 1005"><b>Tanque de combustible del quemador (negro):</b></p> <p data-bbox="862 1005 1479 1085">Al llenar el tanque de combustible del quemador, use aceite de combustible diesel o queroseno No.1 ó No.2. No use gasolina.</p> <p data-bbox="846 1100 1479 1220">No opere la unidad si se derrama gasolina o combustible de diesel. Con un paño, limpie completamente la lavadora a presión y aléjela del derrame. Evite crear cualquier ignición hasta que el combustible de gasolina o diesel se haya evaporado.</p> <p data-bbox="846 1234 1479 1472">Se debe agregar un parachispas al silenciador de este motor si se va a usar sobre terrenos sin construir de bosques, o cubiertos de maleza o pasto. El parachispas deberá ser mantenido en buen funcionamiento por el operador. En el estado de California, lo anterior es obligatorio por ley. (Sección 4442 del Código de Recursos Públicos de California). Otros estados quizá tengan leyes similares. En terrenos federales se aplican las leyes federales.</p> <p data-bbox="846 1486 1479 1619">Esta lavadora a presión tiene un dispositivos de seguridad aparato que nunca deben ser alterados, modificados, extraídos o desconectados. Si falla el dispositivo, reemplácelo inmediatamente con un repuesto genuino del fabricante.</p>



## ADVERTENCIAS DE SEGURIDAD

Lea todas las advertencias de seguridad antes de usar la lavadora a presión



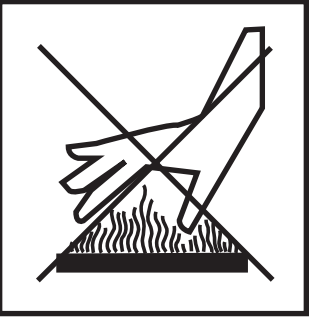
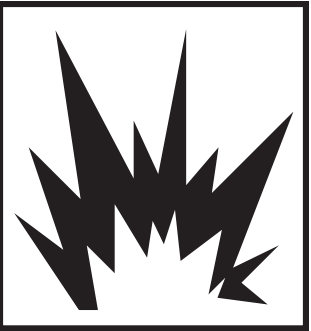

PELIGRO	POSIBLE CONSECUENCIA	PREVENCIÓN
<p><b>RIESGO DE ASFIXIA</b></p> 	<p>Pueden sufrirse lesiones graves o fatales como consecuencia de la inhalación de gases del escape del motor/quemador o vapores peligrosos. El gas que emana del escape de este producto contiene sustancias químicas identificadas por el Estado de California como agentes que provocan cáncer, defectos de nacimiento o daños reproductivos.</p>	<p>Esta lavadora a presión fue diseñada para uso externo únicamente. Nunca opere esta lavadora a presión en una área cerrada. Siempre asegúrese de que exista ventilación adecuada (aire externo fresco) para la respiración y la combustión. Esto impedirá la acumulación de gases peligrosos de monóxido de carbono. Tenga cuidado en las áreas de poca ventilación, o áreas con ventiladores de extracción que pueden provocar un intercambio deficiente de aire.</p> <p>Obedezca todas las instrucciones proporcionadas con los materiales que está rociando. Quizá sea necesario usar un respirador cuando se trabaje con ciertos materiales. No use esta lavadora a presión para distribuir detergentes peligrosos.</p>
<p><b>RIESGO DE INYECCIÓN O LESIÓN POR CORTADURA SEVERA</b></p> 	<p>Pueden sufrirse lesiones graves o fatales como consecuencia de la atomización a alta presión con penetración en la piel.</p>	<p>¡Manténgase completamente alejado de la boquilla y el atomizador! Nunca coloque la mano, los dedos o el cuerpo directamente sobre la boquilla de rocío.</p> <p>Nunca apunte el atomizador alta presión hacia usted mismo o hacia otra persona.</p> <p>Siempre mantenga el área de trabajo despejada de personas.</p> <p>NO PERMITA que algún niño opere esta unidad.</p> <p>¡BUSQUE ATENCIÓN MÉDICA DE EMERGENCIA si parece que el rocío ha penetrado la piel! ¡NO LO TRATE COMO UNA SIMPLE CORTADURA!</p> <p>Debe inspeccionar diariamente las mangueras de alta presión y las líneas de combustible para buscar señales de desgaste. Si hay evidencia de falla, reemplace inmediatamente todas las mangueras y líneas de combustible sospechosas para prevenir la posibilidad de lesiones por el rocío a alta presión. Si una manguera o conexión tiene alguna fuga, NO COLOQUE SU MANO DIRECTAMENTE SOBRE LA FUGA.</p> <p>NUNCA opere la pistola con el gatillo fijado en la posición abierta. Para prevenir una descarga accidental, la pistola debe tener bien trabado el seguro del gatillo cuando no se encuentre en uso.</p> <p>Antes de retirar la boquilla de rocío o dar servicio a la unidad, apague la unidad y tire del gatillo de la pistola para liberar la presión. (Aun cuando apague la unidad, todavía quedará agua a alta presión en la bomba, la manguera y la pistola hasta que la libere jalando el gatillo de la pistola.)</p>
<p><b>RIESGO DE ELECTROCUCIÓN O CHOQUE ELÉCTRICO</b></p> 	<p>Pueden sufrirse lesiones graves o fatales debido al contacto con la electricidad.</p>	<p>¡NO dirija el rocío hacia instalaciones eléctricas de ninguna clase! Esto incluye tomas eléctricas, lámparas, cajas de fusibles, transformadores, la unidad misma, etc.</p> <p>NO permita que los componentes de metal de la lavadora a presión entren en contacto con componentes eléctricos cargados.</p>



## ADVERTENCIAS DE SEGURIDAD

Lea todas Las advertencias de seguridad antes de usar la lavadora a presión




PELIGRO	POSIBLE CONSECUENCIA	PREVENCIÓN
<p><b>RIESGO DE QUEMADURAS</b></p> 	<p>Pueden producirse lesiones graves si se toca el motor de gasolina, el silenciador o el intercambiador de calor. Estas áreas pueden permanecer calientes por algún tiempo después de que se ha apagado la lavadora a presión.</p>	<p>Nunca permita que ninguna parte de su cuerpo haga contacto con el motor de gasolina, el silenciador o el intercambiador de calor.</p>
<p><b>RIESGO DE EXPLOSIÓN</b></p> 	<p>Pueden producirse lesiones graves debido al mal funcionamiento de la lavadora a presión o la explosión de accesorios si se usan componentes, aditamentos o accesorios que no correspondan al sistema.</p> <p>Pueden producirse lesiones graves o fatales si se intenta arrancar la lavadora a presión cuando esté congelada la bomba.</p>	<p>Nunca haga ajustes a las presiones configuradas en la fábrica.</p> <p>Nunca exceda la máxima graduación de presión de los accesorios permitida por el fabricante.</p> <p>No permita que alguna de las mangueras haga contacto con el silenciador del motor, el motor de gasolina o el intercambiador de calor para prevenir la posibilidad de explosión. No arrastre las mangueras sobre superficies abrasivas como el cemento.</p> <p>Solo use las partes de reparación para su lavadora a presión recomendadas por el fabricante.</p> <p>En temperaturas de congelación, la unidad siempre deberá permanecer lo suficientemente caliente como para asegurar que no haya formación de hielo en la bomba. No arranque la lavadora a presión si ha sido transportada en un vehículo abierto o de calefacción deficiente, sin primero permitir que la bomba se descongele.</p>
<p><b>RIESGO POR PARTES EN MOVIMIENTO</b></p> 	<p>El operador puede sufrir de lesiones graves si hace contacto con las partes en movimiento de la lavadora a presión.</p>	<p>Antes de hacer cualquier ajuste, asegúrese de que el motor esté apagado y que el cable o los cables de ignición estén separados de las bujías de ignición. Al voltear la máquina manualmente durante el ajuste o la limpieza puede arrancar el motor y junto con él, la máquina.</p> <p>No opere la unidad sin que todas las cubiertas protectoras se encuentren en su lugar.</p>



## ADVERTENCIAS DE SEGURIDAD

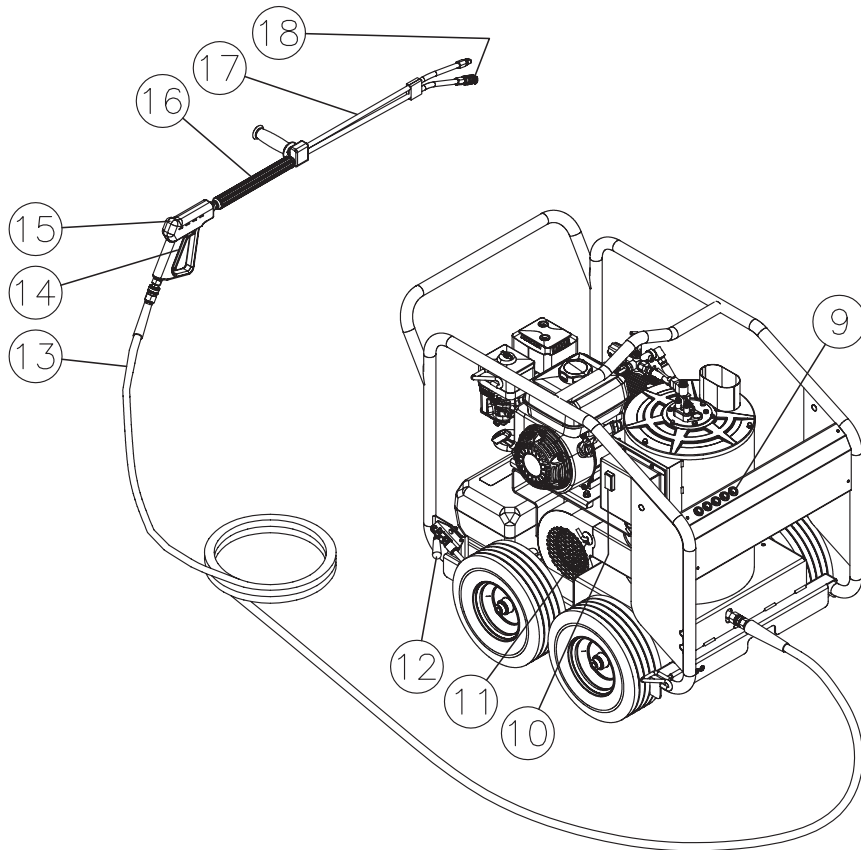
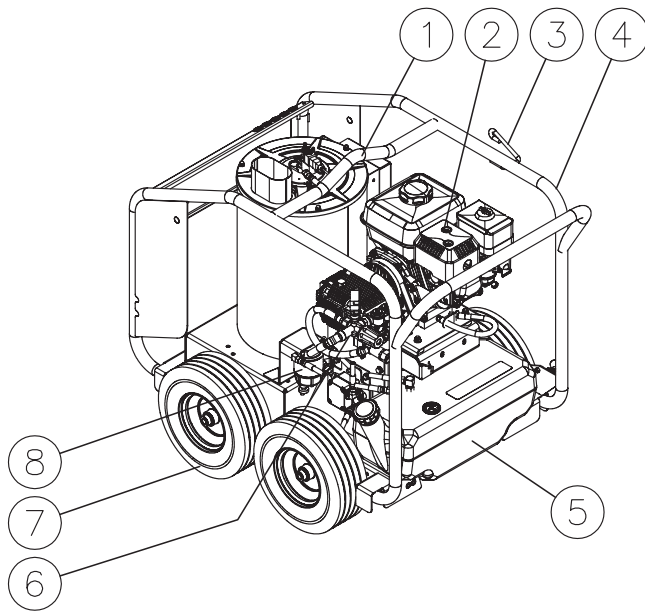
Lea todas las advertencias de seguridad antes de usar la lavadora a presión



PELIGRO	POSIBLE CONSECUENCIA	PREVENCIÓN
<p><b>RIESGO DE LESIONES</b></p> 	<p>Pueden ocurrir lesiones graves o fatales si los detergentes entran en contacto con la piel.</p> <p>Pueden ocurrir lesiones graves provocadas por partículas sueltas proyectadas a gran velocidad a través la pistola atomizadora.</p> <p>Pueden ocurrir lesiones si el operador pierde el equilibrio causado por el impulso del agua que está atravesando la boquilla de rocío.</p> <p>Pueden ocurrir lesiones provocadas por la lavadora a presión.</p>	<p>¡BUSQUE ATENCIÓN MÉDICA DE EMERGENCIA si está usando agentes de limpieza y siente que el rocío ha penetrado la piel! ¡NO LO TRATE COMO UNA SIMPLE CORTADURA! Lea la hoja de datos de seguridad del material (MSDS) proporcionada con su detergente para estar preparado y poder informar a su médico exactamente qué tipo de detergentes estaba usando.</p> <p>Nunca use solventes o detergentes altamente corrosivos o limpiadores de tipo ácido con esta lavadora a presión.</p> <p>Se aconseja usar equipo protector como trajes de goma, guantes y respiradores, especialmente cuando se usen detergentes limpiadores.</p> <p>¡Mantenga todos los detergentes fuera del alcance de los niños!</p> <p>SIEMPRE use gafas protectoras cuando opere la unidad para proteger sus ojos contra residuos y detergentes lanzados al aire.</p> <p>NO DIRIJA el atomizador hacia materiales frágiles tales como vidrio, ya que podría ocasionar su ruptura.</p> <p>Manténgase alerta — vigile lo que esté haciendo. No opere la unidad cuando esté fatigado o bajo la influencia de alcohol o drogas.</p> <p>NUNCA apriete el gatillo a menos de que esté firmemente parado.</p> <p>NO se estire demasiado ni se pare sobre un soporte inestable.</p> <p>Las superficies mojadas pueden estar resbaladizas, use equipo protector y mantenga un punto de apoyo y buen equilibrio en todo momento.</p> <p>NUNCA accione la pistola mientras se encuentre en una escalera o sobre un techo.</p> <p>SIEMPRE sostenga firmemente el conjunto de pistola/ varilla cuando arranque y opere la unidad. No hacerlo podría provocar que la varilla se caiga y se azote peligrosamente.</p> <p>Sepa como detener la lavadora a presión y aliviar las presiones rápidamente. Familiarícese por completo con estos controles.</p> <p>NO permita que la unidad presurizada permanezca sola. Apague la lavadora de presión y libere la presión antes de irse.</p> <p>NO OPERE la unidad si detecta fugas de combustible, aceite o agua de la máquina. NO reanude la operación hasta que la unidad haya sido inspeccionada y reparada por un técnico capacitado para el servicio.</p> <p>NUNCA accione la unidad con el regulador desconectado ni opere a velocidades excesivas.</p> <p>Coloque la unidad sobre una superficie limpia, seca y plana para darle servicio. Antes de dar mantenimiento a la unidad, apáguela, alivie la presión de agua apretando el gatillo de la pistola, y permita que la unidad se enfríe. Realice el mantenimiento en un área limpia, seca y plana. Donde sea necesario, bloquee las ruedas para prevenir el movimiento de la unidad.</p> <p>No mueva la unidad tirando de la manguera.</p>

**! ¡CONSERVE ESTAS INSTRUCCIONES! !**

## CARACTERÍSTICAS HSP-BASE PEQUEÑO

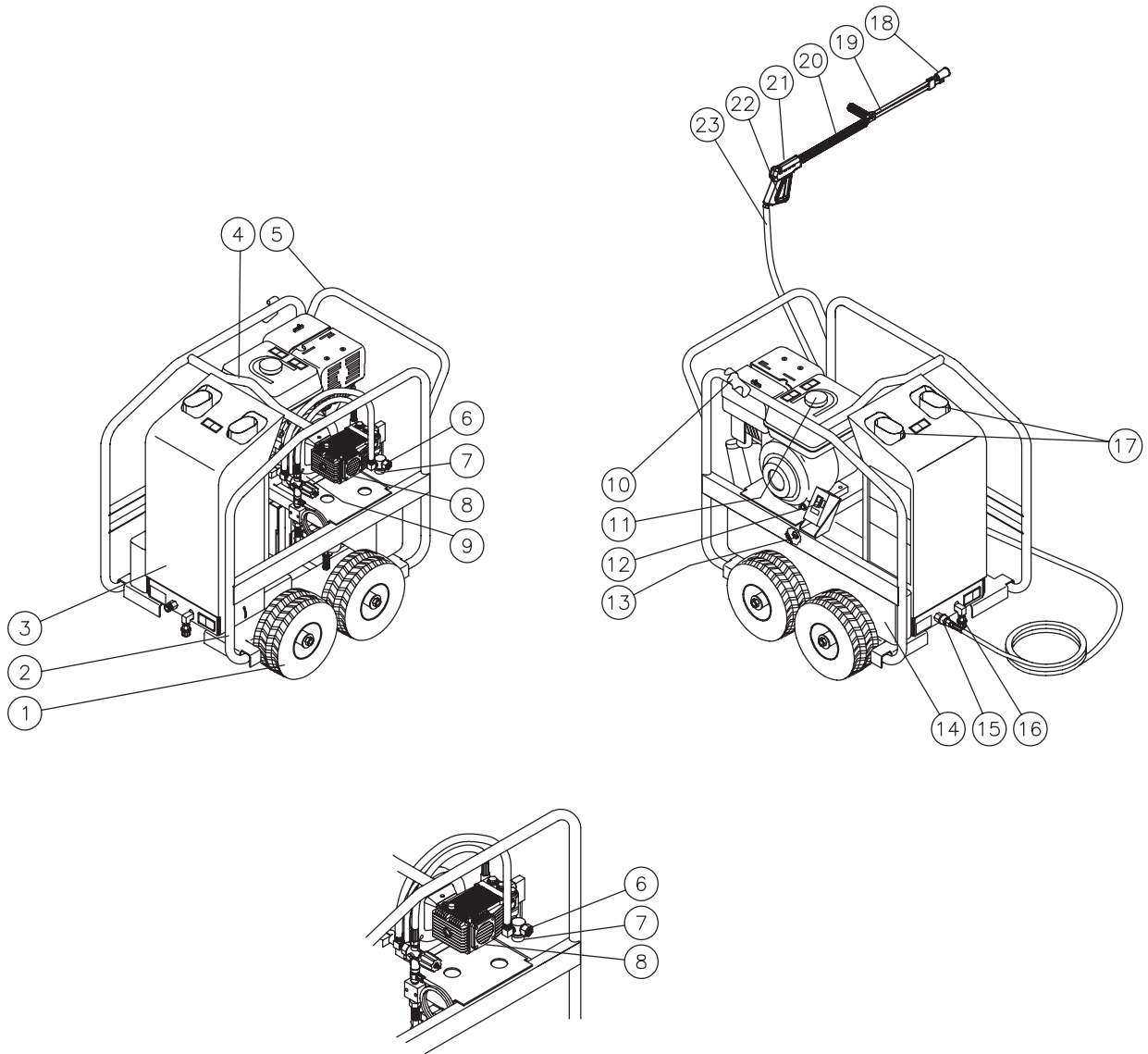




## LISTA DE COMPONENTES

1. Gancho Levantar
2. Deposito del Gasolina Motor
3. Soporte de Varilla
4. Rollo Resguardo
5. Deposito del Combustible Quemada
6. Bomba del Presion Alta
7. Ruedas Neumaticos
8. Separador de agua y combustible
9. Soporte para boquilla
10. Varillas de Quemadura
11. Quemador aire el reglamento
12. Freno
13. Manguera de descarga de alta presión
14. Gatillo Cerradero de Seguridad
15. Conjunto del la Pistola
16. Lanza Aislante
17. Lanza de Dual Presión Reguable
18. Boquillas

# CARACTERÍSTICAS HSP-BASE GRANDE



## LISTA DE COMPONENTES

1. Ruedas Neumaticos
2. Rollo Resguardo
3. Tapa Protector
4. Gancho Levantar
5. Mango Convenient de Empujon / Tirón
6. Entrada de Agua
7. Tamiz de Agua
8. Bomba del Presion Alta
9. Guarda Correa
10. Soporte de Varilla
11. Deposito del Gasolina Motor
12. Varillas de Quemadura
13. Depostible del Aire Regulable
14. Deposito del Combustible Quemada
15. Salida de Alta Presión
16. Tapon de Rollo Desaquadero
17. Quemadura Exhosto
18. Boquillas
19. Lanza de Dual Presión Reguable
20. Lanza Aislante
21. Conjunto del la Pistola
22. Gatillo Cerraduro de Seguridad
23. Manguera de descarga de alta presión



## INSTALACIÓN Y PREPARACIÓN

### VESTIMENTA:

1. Es importante usar ropa apropiada para su seguridad. Se aconseja usar cualquier medio necesario para proteger los ojos, las orejas y la piel. Posiblemente requiera equipo adicional de seguridad (como un respirador) cuando use detergentes limpiadores con esta lavadora.

### PREPARACIÓN INICIAL:

1. Este aparato debe quedar siempre colocado sobre una superficie nivelada para asegurar la lubricación apropiada del motor y de la bomba de agua durante la operación. NUNCA rocíe agua directamente a la unidad.
2. No use esta unidad en un área:
  - sin suficiente ventilación
  - donde haya evidencia de fugas de aceite, gas o combustible.
  - donde pueda haber presencia de vapores inflamables.
 Esta unidad tiene varias fuentes de ignición que podrían provocar una explosión o incendio.
3. Si tiene ruedas, asegúrese de bloquearlas para evitar que la unidad se mueva durante la operación.
4. No permita que la unidad quede expuesta a la lluvia, la nieve o temperaturas de congelación. Si alguna parte de la unidad se congela, es posible que se acumule una presión excesiva en la unidad, lo cual podría provocar su estallido y consecuentemente posibles lesiones al operador o las personas alrededor.
5. Debe revisarse el nivel de aceite de la bomba debe revisarse antes de cada aplicación. Revise el indicador de nivel de aceite en el cárter de la bomba. Asegúrese de que el aceite se encuentre en el centro de la mirilla de nivel. Si parece estar bajo el nivel, llene con aceite especial para bombas Mi-T-M #AW-4085-0016.



### PELIGRO

**¡Riesgo de explosión o incendio!**  
 No coloque la unidad en una área donde puedan existir vapores inflamables. Una chispa podría provocar una explosión o un incendio.  
**¡Riesgo de la explosión de la unidad!**  
**¡No almacene/opere la unidad en ambientes de congelación!**



### ADVERTENCIA

**¡Riesgo de asfixia!**  
**¡Use este producto únicamente en áreas bien ventiladas!**  
 No opere en una área encerrada. El escape expulsa monóxido de carbono, un gas venenoso inodoro e invisible. Respirar este gas puede provocar lesiones graves, enfermedad o posible muerte.



### PELIGRO

**¡Riesgo de incendio!**  
**¡No fume mientras esté cargando combustible!**  
 No llene los tanques de combustible mientras la máquina esté en funcionamiento o esté caliente. Permita que la máquina se enfríe por dos minutos antes de volver a cargar combustible.  
 No llene demasiado los tanques de combustible porque se pueden derramar. Debe quedar un espacio libre de 1/4" (6,5 mm) en el tanque para permitir la expansión del combustible.

### TANQUES DE COMBUSTIBLE DEL MOTOR/QUEMADOR:

1. Lea las advertencias de "Riesgo de explosión o incendio", página 28, antes de llenar con combustible.
2. Localice las calcomanías de seguridad en su unidad y preste atención a sus advertencias.
3. **Motores de gasolina:** Cuando llene el tanque (23), la gasolina debe tener un mínimo de 85 de octano. NO MEZCLE ACEITE CON LA GASOLINA. Debe comprarse solamente la gasolina que se vaya a consumir en un periodo de 30 días. Se recomienda el uso de gasolina limpia, libre de plomo. Se puede usar gasolina con plomo si no se dispone de gasolina sin plomo. NO USE gasolina que contenga metanol o alcohol.  
**Combustible del quemador:** Cuando llene el tanque (negro), use aceite de combustible No.1 o No.2/ diesel o queroseno.
4. Revise el nivel de aceite del motor antes de arrancarlo. (Vea el manual del motor).
5. Vea el manual del motor que se ha proporcionado con esta unidad, para familiarizarse con los procedimientos apropiados de ajuste.
6. Repase el manual del motor que acompaña a esta lavadora a presión para familiarizarse con los procedimientos correctos de arranque y mantenimiento.



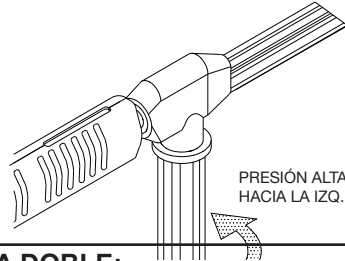
### ADVERTENCIA

**¡Riesgo de explosión o incendio!**  
 Siempre almacene el combustible lejos de la lavadora mientras la unidad esté en funcionamiento o se encuentre caliente.

## INSTALACIÓN Y PREPARACIÓN

**CONJUNTO DE VARILLA DOBLE CON PRESIÓN AJUSTABLE:**  
Esta unidad tiene un conjunto de varilla doble con presión ajustable que permite al usuario seleccionar el rocío en abanico a baja o alta presión. Simplemente gire el mango ajustable de la varilla doble para seleccionar la presión deseada.

1. Se puede seleccionar la presión alta girando el mango ajustable en el conjunto de varilla doble en sentido *antihorario* como se muestra en la figura siguiente.
2. Se puede seleccionar la aplicación de detergente a baja presión girando el mango ajustable de la varilla doble en sentido *horario* como se muestra en la figura de abajo. Una vez que la presión sea lo suficientemente baja, el inyector de detergente en la lavadora de presión absorberá detergente dentro del sistema. Una mezcla de agua y detergente sale por la boquilla de rocío y por la boquilla de detergente.



### CONEXIÓN DE VARILLA DOBLE:

1. Esté seguro que la pistola de gatillo está en la posición de apagado.
2. Conecte la varilla doble a la pistola de gatillo a este tiempo. Asegúrese que la conexión está apretado seguramente.

### SUMINISTRO DE AGUA:

1. Seleccione una manguera de suministro de agua de jardín de buena calidad que tenga por los menos 3/4" (19 mm) de diámetro interno y no sea mayor de 50 pies (15,25 m).
2. Revise la malla filtrante de la entrada de agua para asegurarse que esté limpia y libre de obstrucciones. Conforme se obstruye esta malla, se restringe el flujo de agua hacia la bomba. Esto puede causar cavitaciones que provocarán la falla prematura de los empaques de la bomba.
  - a. Destornille la tapa de la malla filtrante de la unidad.
  - b. Retire la malla filtrante y límpiela o reemplácela.
3. Conecte un extremo de la manguera de suministro de agua a la entrada de agua de la unidad. Conecte el otro extremo de la manguera al suministro de agua presurizada.

**NOTA:** *Deben observarse los reglamentos locales de su compañía de agua, al conectar la entrada de agua a las cañerías maestras de agua. En algunas áreas la unidad no debe conectarse directamente al suministro público de agua potable. Esto es para asegurar que no haya realimentación de los detergentes al suministro de agua. (Se permite la conexión directa si se instala un supresor de flujo de retroceso.)*

**NOTA:** *Si existe un alto grado de contenido mineral en su agua, se recomienda usar un ablandador de agua para prevenir la posibilidad de una acumulación excesiva de incrustaciones dentro del serpentín del intercambiador de calor.*

4. Siga los requisitos de entrada de agua detallados a continuación:
  - a. La presión del agua deberá encontrarse entre un mínimo de 20 libras por pulgada cuadrada (PSI) y un máximo de 125 PSI.
  - b. El volumen (GPM) de entrada deberá ser aproximadamente un galón más que el volumen de salida señalado en la placa de la lavadora a presión. (Usted puede verificar el volumen midiendo el tiempo que toma llenar un recipiente de 5 galones.)
  - c. La temperatura del agua que entra no debe exceder los 125° F. Puede ocurrir un daño excesivo de la bomba si la temperatura del agua sobrepasa este nivel aceptable.
5. Nunca permita que la unidad opere sin que la línea de agua de entrada esté conectada y sin que el suministro de agua esté completamente abierto.

**⚠ ADVERTENCIA**

**¡Riesgo de inyección que puede causar una lesión grave!**

La pistola de gatillo siempre debe estar trabada en su posición cerrada cuando no se use!  
**¡Nunca vea directamente hacia la boquilla a menos que esté desconectada del conjunto de pistola y varilla doble!**

### MALLA FILTRANTE DE LA ENTRADA DE AGUA.



# INSTALACIÓN Y PREPARACIÓN

## DESCARGADOR:



### PRECAUCIÓN

**¡Riesgo de daño a la unidad!**  
**¡No ajuste en exceso el descargador. Su ruptura puede dar como resultado la pérdida inmediata de la presión del agua y por tanto, reparaciones costosas.**

El descargador ha sido preajustado en la fábrica y solo deberá ser ajustado por un Representante de capacitado para servicio.

---

## VÁLVULA PARA DISIPAR CALOR:

Para asegurar que la temperatura del agua derivada no exceda los niveles aceptables, nunca permita que la lavadora a presión opere en función de derivación (con la unidad en funcionamiento y el gatillo cerrado) por más de tres minutos.

Se ha instalado en esta máquina una válvula para disipar el calor y así proteger la bomba. Puede comenzar a abrirse para sacar agua si la temperatura en la bomba ha excedido los 140°F. Esto permitirá que entre al sistema un nuevo suministro de agua fría, impidiendo así la falla prematura de los empaques de la bomba.

---

## PROCEDIMIENTOS DE INSPECCIÓN ANTES DEL ENCENDIDO:

Antes de encender la unidad, realice los siguientes procedimientos:

1. Revise el nivel de aceite de la bomba.
2. Revise la malla filtrante de la entrada de agua. Limpie o reemplace de ser necesario. Vea "Suministro de agua", #2, página 37.
3. Revise todas las conexiones de la manguera para asegurarse de que estén bien ajustadas. Vea "Suministro de agua", #3, página 37.
4. Inspeccione para asegurarse que no existan fugas de agua, aceite o combustible del sistema. Si encuentra una fuga de combustible, ¡NO ENCIENDA LA UNIDAD! Vea la sección de advertencias de "Riesgo de explosión o incendio" en la página 4. Asegúrese que se hayan reemplazado todas las partes dañadas y se hayan corregido los problemas mecánicos, antes operar de nuevo la unidad. Si requiere servicio, llame a la oficina de Servicio a clientes.
5. Inspeccione las mangueras de alta presión para asegurarse que no tengan dobleces, rupturas o fugas. Si se encuentra una ruptura o fuga, ¡NO USE LA MANGUERA! Reemplace la manguera antes de encender la unidad. Vea "Riesgo de inyección" en la página 5. Asegúrese que se hayan reemplazado todas las partes dañadas y se hayan corregido los problemas mecánicos, antes operar de nuevo la unidad. Si requiere servicio, llame a la oficina de Servicio a clientes.

## AQUÍ TERMINAN LAS INSTRUCCIONES DE PREPARACIÓN

# **⚠ ADVERTENCIA ⚠**

**LAS SIGUIENTES PÁGINAS CONTIENEN INSTRUCCIONES SOBRE LA OPERACIÓN Y EL MANTENIMIENTO.**

**NO INTENTE OPERAR ESTA LAVADORA A PRESIÓN HASTA QUE HAYA LEÍDO Y COMPRENDIDO TODAS LAS PRECAUCIONES E INSTRUCCIONES DE SEGURIDAD SEÑALADAS EN ESTE MANUAL.**

**¡LA OPERACIÓN INCORRECTA DE ESTA UNIDAD PUEDE CAUSAR LESIONES GRAVES!**

**¡NO ALTERE NI MODIFIQUE ESTE EQUIPO DE NINGUNA MANERA!**

# INSTRUCCIONES DE OPERACIÓN

## CEBADO DE LA BOMBA:

Es esencial cebar la bomba y afluir la unidad cada vez que se desconecta el suministro de agua de la unidad o cuando la unidad estaba descansando por cualquier tiempo. Esta unidad tiene un serpentín de acero en el que se torna café o negra el agua residual después de usar la máquina. Esta agua debe purgarse del sistema antes de encender de nuevo la máquina. Este procedimiento se debe realizar SIN tener instalados la manguera de alta presión ni el conjunto de pistola y varilla.

POSICIÓN DE DIRECTA: (Unidad todas)

1. Abra el suministro de agua.
2. El agua a baja presión comenzará a fluir desde el salida de agua. Esto permite que la unidad se cebe y purgue todo el aire del sistema. La unidad está cebada cuando el flujo de agua está interrumpido por aire.
3. Una vez que esté cebado, cerrado el suministro de agua y conecte la manguera de descarga de alta presión a la salida de agua en la unidad.
4. Abra el suministro de agua.



## PRECAUCIÓN

**Riesgo de daño a la unidad**  
Asegúrese que no estén conectadas la manguera, la pistola o la boquilla cuando se esté cebado de la bomba. Al cebadura se liberan depósitos minerales del sistema, los cuales podrían obstruir o dañar la pistola y la boquilla, requiriendo reparaciones costosas.



## PELIGRO

**¡Riesgo de inyección que provoca lesiones graves!**  
**¡Manténgase completamente apartado de la boquilla! ¡Nunca coloque la mano o los dedos delante de la boquilla!**  
**¡No dirija el chorro de descarga hacia personas o mascotas!**



## PRECAUCIÓN

**Riesgo de daño**  
No permita que el patrón de rocío permanezca en una área fija durante un periodo de tiempo prolongado. Puede causar daños en esa área.

## ARRANQUE/OPERACIÓN CON AGUA FRÍA:

1. Vea “Advertencias de seguridad”, páginas 28 a 31, antes de encender la unidad.
2. Localice las calcomanías de seguridad en su unidad y ponga atención a esas advertencias.
3. Asegúrese de que el interruptor del quemador esté en posición de apagado.
4. Apunte la pistola de gatillo en dirección segura, quite el seguro y apriete el gatillo. Sostenga el gatillo abierto mientras arranca el motor, según las instrucciones del fabricante en el manual del motor que acompaña esta unidad. Apóyese firmemente en caso de que la pistola lo empuje cuando se encienda la bomba.
5. Una vez que ha arrancado el motor, asegúrese de que el obturador del motor esté ajustado a la velocidad normal de operación (RPM) y realice los siguientes procedimientos con la pistola activada:
  - a. Inspeccione el sistema en busca de fugas de agua, aceite y combustible. Si encuentra una fuga de combustible, ¡APAGUE LA UNIDAD INMEDIATAMENTE! Vea las advertencias de “Riesgo de explosión o fuego”, página 28. Asegúrese que se hayan reemplazado todas las partes dañadas y se hayan corregido los problemas mecánicos, antes operar de nuevo la unidad. Si requiere servicio, llame a la oficina de Servicio a clientes.
  - b. Inspeccione las mangueras de alta presión para asegurarse que no tengan dobleces, rupturas o fugas. Si encuentra una ruptura o fuga, ¡NO TOQUE LA PARTE DE LA RUPTURA! ¡APAGUE LA UNIDAD INMEDIATAMENTE! Reemplace la manguera antes de encender la unidad. Vea las advertencias de “Riesgo de inyección” en la página 29. Asegúrese que se hayan reemplazado todas las partes dañadas y se hayan corregido los problemas mecánicos, antes operar de nuevo la unidad. Si requiere servicio, llame a la oficina de Servicio a clientes.
6. En esta etapa, la unidad está operando como lavadora a presión con agua fría. Ponga la pistola algunas veces y trata de ajustar la presión de alta. ¡NUNCA coloque las manos o los dedos delante de la boquilla ni mire directamente hacia la boquilla. ¡El agua a alta presión puede provocar lesiones graves!
7. No permita que la unidad opere en función de derivación (con el gatillo cerrado) por más de tres minutos sin activar el gatillo de la pistola. Si no se cumple con esta sencilla regla, puede provocarse la falla prematura de los empaques de la bomba, requiriendo costosas reparaciones de la bomba.
8. Su lavadora a presión puede atomizar a alta presión en varios patrones de rocío usando agua fría. Si desea usar agua caliente o detergentes para limpieza, vea la página 41 para conocer los procedimientos correctos.



# INSTRUCCIONES DE OPERACIÓN

## OPERACIÓN CON AGUA CALIENTE:

1. Siga los pasos señalados en la sección de “Arranque/operación con agua fría.”
2. Mueva el interruptor del quemador a la posición de ENCENDIDO. Durante el arranque inicial, el agua comenzará a calentarse en aproximadamente 20 segundos y alcanzará su temperatura máxima en aproximadamente 2-1/2 minutos, siempre y cuando se mantenga oprimido el gatillo. El quemador se apagará cuando se suelte el gatillo.

**NOTA:** *Mientras esté rociando, es normal que el quemador se encienda intermitentemente. El interruptor de límite alto causará que la combustión se suspenda cuando la temperatura del agua descargada exceda el límite ajustado en el interruptor. La combustión se reiniciará cuando la temperatura del agua descienda por debajo del ajuste mínimo.*

En esta etapa, la unidad está operando como lavadora de presión con agua caliente. Asegúrese de ser extremadamente precavido cuando ajuste la presión o controle el conjunto de pistola/gatillo/varilla para evitar la posibilidad de sufrir quemaduras.



## ADVERTENCIA

**¡Riesgo de quemadura!**  
La temperatura del agua podría ser muy elevada durante la operación con agua caliente. Tenga cuidado cuando ajuste la presión o

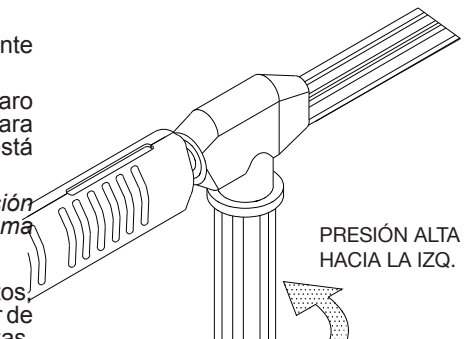
## LIMPIEZA CON DETERGENTES BAJA PRESIÓN:

**NOTA:** *Esta función está diseñada para ser usada únicamente con detergentes suaves. Dado que la solución de limpieza viaja a través de la bomba y el serpentín del intercambiador de calor, no use corrosivos ya que provocarán daño extenso y representan un peligro considerable.*

1. Vea las advertencias de “Riesgo de lesiones”, página 31. Asegúrese de usar vestimenta protectora como se indicó en la página 36.
2. Prepare la solución de detergente de acuerdo a las instrucciones en la etiqueta (Nunca bombee ácidos, alcalinos, líquidos abrasivos o solventes a través de la unidad. Debido a las características desconocidas y a menudo corrosivas de muchos detergentes usados comúnmente en la industria de lavado a presión, se recomienda únicamente el uso de detergentes Mi-T-M con esta unidad).
3. Sumerja completamente el extremo de la malla filtrante de la manguera de vinilo transparente en la solución de detergente.
4. Puede el detergente que quiere si encuentra ud el botón ajuste al fin de la manguera claro y vinyl cerca del inyección de detergente. Torce el botón antihorario completamente para poner el rato maximo de siphón. Esté seguro que la presa ajustable en la varilla doble está completamente horario para la operación de presión baja detergente.

**NOTA:** *Este sistema de inyección está diseñado para aplicar detergentes a baja presión solamente. No permitirá que se introduzcan soluciones de detergente en el sistema a menos que la boquilla del detergenet esté instalada en la vara.*

5. Para aplicar la solución, quite el seguro de la pistola active el gatillo. En unos cuantos momentos, una mezcla de detergente y agua saldrá por la boquilla. Comience a rociar la porción inferior de la superficie que va a lavar y siga en dirección ascendente, en pasadas largas, superpuestas. Aplicando de la parte inferior hacia arriba se evitan manchas de escurrimientos. Permita que se remoje brevemente. Trate de no trabajar en superficies calientes o expuestas a la luz directa del sol, para reducir las probabilidades de que el detergente se seque, lo cual podría causar daños a la superficie. Asegúrese de aplicar la solución de limpieza a una pequeña sección a la vez.
6. Para enjuagar: fije la pistola de gatillo en la posición de APAGADO. Esté seguro que la presa ajustable en la varilla doble está completamente antihorario para la operación de presión alta. Quite el seguro de la pistola y rocíe. Tomará aproximadamente 30 segundos para purgar todo el detergente de la línea. Para lograr los mejores resultados de enjuague, comience en la parte superior y avance en forma descendente.
7. Haga pasar por acción de sifón un galón de agua a través del sistema de inyección de detergente del sistema después de cada uso. Esto evita la posibilidad de corrosión o acumulación de residuos de detergente, lo cual provocaría problemas mecánicos durante el siguiente uso.



## APAGADO

1. Mueva el interruptor del quemador a la posición de APAGADO.
2. Apriete el gatillo y descargue el agua durante tres minutos para enfriar el intercambiador de calor y la manguera de alta presión. (Un periodo de enfriamiento insuficiente de la manguera de alta presión causará desgaste excesivo y la ruptura eventual de la manguera.)
3. En los modelos de motor de gasolina, NO CIERRE el obturador para detener el motor. Podría ocasionarse petardeo o explosión en el carburador y pposible daño al motor.
4. Mueva el interruptor de encendido/apagado del motor a la posición de APAGADO.
5. Mueva el valvula de combustible del motor a la posición de CERRADO.
6. Abra el suministro de agua y accione el gatillo de la pistola por un momento para aliviar la presión.
7. Desconecte la manguera de alta presión, la pistola y la varilla. Drene y limpie la unidad con un paño. Almacénela donde no corra riesgo de congelación.

# ALMACENAJE Y MANTENIMIENTO

## MANTENIMIENTO ESPECIFICO:

### **Motor:**

En el instructivo del motor que viene con su unidad se detallan los procedimientos específicos para dar mantenimiento al motor. Si sigue las recomendaciones del fabricante prolongará la duración de su motor.

### **Bomba:**

Cambie el aceite de la bomba después de 50 horas de operación. Después del cambio inicial, el fabricante recomienda cambiar el aceite cada 3 meses o a intervalos de 250 horas. Si el aceite tiene aspecto sucio o lechoso, quizá sea necesario hacer cambios más frecuentemente. Use aceite especial para bombas Mi-T-M (#AW-4085-0016) y solo llene hasta el centro de la mirilla de nivel. NO LLENE DEMASIADO.

### **Acopladores rápidos:**

Dentro de lo acopladores hay sellos anulares que eventualmente se deteriorarán. Para reemplazarlos, simplemente instale un sello anular de repuesto para corregir la fuga. Puede adquirir sellos anulares adicionales con su distribuidor.

### **Boquilla:**

El flujo de agua a través de la boquilla de rocío causará erosión del orificio, ensanchándolo y provocando una pérdida de presión. Deben reemplazarse las boquillas siempre que la presión llegue al 85% del máximo. La frecuencia del reemplazo depende de variables tales como el contenido mineral en el agua y la cantidad de horas que se use la boquilla.

### **Separador de agua y combustible:**

Ocasionalmente, debe drenarse el agua del separador. Siga los procedimientos detallados a continuación:

1. Revise el recipiente colector diariamente.
2. Asegúrese que la unidad esté apagada y ponga un colector de aceite debajo del cartucho de combustible.
3. Afloje el tapón de drenaje para permitir que los contaminantes del combustible/agua fluyan al colector de aceite.
4. Vuelva a apretar el tapón de drenaje cuando haya terminado.
5. Deseche el material drenado de acuerdo siguiendo los reglamentos ambientales de su área.

### **Ajuste de aire del quemador:**

El regulador de aire ha sido ajustado previamente en la fábrica para una operación normal entre el nivel del mar y una altura de 2000 pies sobre el nivel del mar en condiciones estándar (60°F de temperatura del agua y del aire). Para asegurar la máxima eficiencia de combustión en temperaturas más bajas y mayor altitud, será necesario aumentar el suministro de aire hacia la cámara de combustión. Se recomienda una prueba de mancha de humo durante el ajuste de del regulador de aire. Esto ayudará a maximizar la eficiencia del quemador y evitará la operación ineficaz y la formación excesiva de hollín en el serpentín del intercambiador de calor.

1. La máquina debe estar en funcionamiento y el quemador debe estar ENCENDIDO.
2. Haga una prueba de mancha de humo para determinar si se requiere más o menos aire para una combustión apropiada.
  - a. Si la prueba da como resultado humo que sobrepasa el No.3, gire el brazo del regulador en sentido antihorario para aumentar el flujo de aire hacia la cámara de combustión.
  - b. Si la prueba da como resultado un color amarillento, gire el brazo del regulador en sentido horario para reducir el flujo de aire hacia la cámara de combustión.
3. Sostenga el brazo de ajuste del regulador de aire y afloje la tuerca de fijación. Mueva la compuerta del regulador en incrementos de 1/8" y vuelva a apretar la tuerca de fijación después de cada movimiento de 1/8".
4. Lentamente, accione y suelte el gatillo de la pistola para asegurarse de que haya ignición adecuada. Se considera favorable una emisión de humo leve o nula al encender, y una prueba de mancha de humo menor al No.3.
5. Repita los pasos 2 y 3 hasta lograr un buen resultado en el paso 4.

### **Fugas:**

Elimine rápidamente cualquier fuga encontrada en el sistema de bombeo quitando las piezas sospechosas, aplicando sellador de rosca a los tornillos y reinstalando. NOTA: Si usa cinta de teflón, asegúrese de que no penetre ningún trozo de cinta a la tubería del sistema para evitar la posibilidad de taponamiento en la boquilla de rocío.

# ALMACENAJE Y MANTENIMIENTO

## TABLA DE MANTENIMIENTO

PROCEDURE	Cada Dia	3 Meses	6 Meses	9 Meses	12 Meses
Examine del nivel de aceite del motor	•				
Cambie del aceite del motor*****			•	•	•
Examine nivel del petroleo bomba	•				
Cambie petroleo de bomba**		•	•	•	•
Examine filtración de petroleo	•				
Examine filtración de combustible	•				
Examine filtración del agua	•				
Examine la manquera	•				
Examine filtro agua entrada	•				
Examine filtro combustible/ agua seperado	•				
Examine de correas		•	•	•	•
Reponga tobera alta presión***		•	•	•	•
Reponga filtro combustible/ agua separado				•	
Examine filtro de bomba combustible*					•
Reponga tobera combustible*					•
Examine aire quemadura regulable		•	•	•	•
Examine quemadura electrodos*					•
Pruebe la presión del agua*		•	•	•	•
Pruebe la presión de combustible*		•	•	•	•
Pruebe temperatura del agua*		•	•	•	•
Quite escama del rolo****					•

\* Debe realizar esto un técnico de servicio autorizado.

\*\* Ud tiene que cambiar combustible de bomba después de las primeras cincuenta (50) horas. De la operación y cada (250) horas o 3 meses, cualquiera.

\*\*\* Las bouquilla de alta presión deben reemplazarse siempre que la presión sea inferior al 85%.

\*\*\*\* Hay una diferencia con la acumulacion de escama con minerales en el aqua y la cantidad de usos. Tiene que quitar escama cada mes o cada año.

\*\*\*\*\*El aceite del motor debe cambiarse después de las primeras 8 horas de operación y cada 50 horas o 3 meses, lo que ocurra primero.

## ALMACENAMIENTO Y MANTENIMIENTO

### PREPARACION PARA EL INVIERNO:

1. Será necesario preparar esta unidad para el invierno, para fines de Almacenamiento y transporte en temperaturas ambiente inferiores al punto de congelación. Esta unidad debe protegerse contra la temperatura más baja incurrida por las siguientes razones:

- a. Si se congela cualquier parte del sistema de bombeo puede acumularse una presión excesiva en la unidad, lo que podría causar que la misma reviente resultando en lesiones posibles graves al operador o a los observadores.
- b. El sistema de bombeo de esta unidad puede resultar dañado permanentemente si se congela. **LOS DAÑOS POR CONGELACION NO ESTAN CUBIERTOS POR LA GARANTIA.**

Usted puede proteger su unidad siguiendo el procedimiento indicado abajo, si debe almacenarla en un lugar donde la temperatura puede descender por debajo de los 32°F.

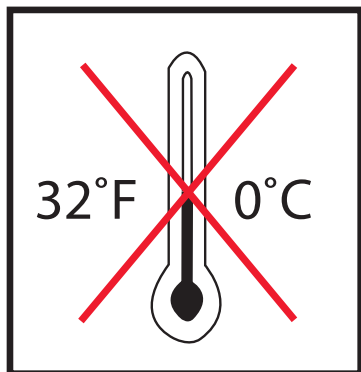
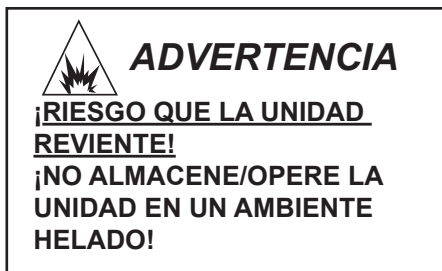
1. Reúne los artículos siguientes:
  - a. Dos recipientes de 5 galones.
  - b. Un galón de anticongelante. (Mi-T-M recomienda un anticongelante seguro para el medio ambiente.)
  - c. Suministro de agua.
  - d. Una manguera de tres pies de largo con un D.I. de 1/2-3/4 y con un adaptador macho de manguera de jardín de 3/4 de pulgada.

### 2. Procedimiento:

- a. Para comenzar a preparar su unidad para el invierno, la misma debe hacerse funcionar y cebarse de acuerdo con los "Procedimientos de Arranque" indicados en la página 39-40.
- b. Apague la unidad y corte el suministro de agua, después de hacerla funcionar y cebarla.
- c. Elimine la presión del sistema apuntando la pistola a gatillo hacia una dirección segura y accionando el gatillo hasta que el flujo de agua cese de salir por la lanza doble.
- d. Asegure la pistola a gatillo en la posición OFF y retire la lanza doble.
- e. Retire la manguera de suministro de agua de la unidad y fije seguramente la manguera de 3 pies a la conexión de entrada.
- f. Si fuera aplicable apague el inyector de detergente.
- g. Llene con agua un balde de 5 galones.
- h. Manteniendo la manguera de 3 pies en una posición vertical, llénela completamente con agua. A continuación tapone la salida de la manguera con su dedo pulgar u otro dedo. Coloque el extremo taponado dentro del balde de agua de 5 galones.
- i. Arranque la unidad. Accione varias veces el gatillo de la pistola hasta que todo el aire haya salido del sistema (la unidad está cebada). Puede ser necesario disminuir las RPM del motor a funcionamiento en vacío para ayudar el cebado.

**NOTA:** La preparación apropiada para el invierno está basada en las instrucciones recomendadas del fabricante incluidas en la "Tabla de Protección" mostrada en el rótulo posterior de la mayoría de los recipientes de anticongelantes.

- j. Por medio de la acción de sifón extraiga suficiente agua del balde de 5 galones hasta que haya justo suficiente agua restante para mezclar con el anticongelante, con la pistola a gatillo mantenido abierto.
- k. Apunte la vara hacia el recipiente vacío.

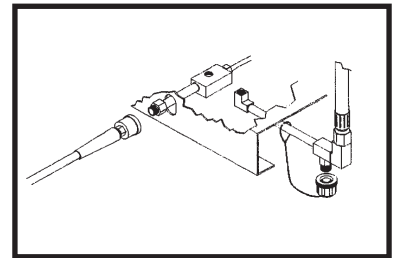


## ALMACENAMIENTO Y MANTENIMIENTO

- l. Accione el gatillo de la pistola hasta que el anticongelante comience a salir por la vara. Suelte el gatillo por 3 segundos, a continuación accione el gatillo de la pistola por 3 segundos. Continúe ciclando la pistola varias veces hasta que toda la mezcla anticongelante es extraída del recipiente por la acción de sifón.
  - m. Separe la manguera de 3 pies de la unidad y drene todo el exceso restante de anticongelante dentro del recipiente de 5 galones.
  - n. Desconecte el conjunto de manguera/pistola/vara de la unidad y drene todo el exceso restante de anticongelante dentro del recipiente de 5 galones.
  - o. Almacene la manguera, la lanza doble y vara junto con la unidad, en un lugar seguro.
  - p. Almacene la solución anticongelante para un uso ulterior o descártela de acuerdo con las leyes de protección del medio ambiente correspondientes.
3. Procedimiento opcional:
- a. Apague la unidad y corte el suministro de agua.
  - b. Elimine la presión del sistema apuntando la pistola a gatillo hacia una dirección segura y accionando el gatillo hasta que el flujo de agua cese de salir por la lanza doble.
  - c. Desconecte y drene la manguera, lanza doble y la vara.
  - d. Quite el tapón de drenaje del serpentín a la entrada del intercambiador de calor.
  - e. Arranque la unidad y permita que funcione hasta que toda el agua salga de la misma. Apague una vez que el agua ha cesado de fluir de la unidad.

**NOTA:** *Debe ejercerse precaución al usar este procedimiento, ya que pueden formarse plaquitas de hielo de las gotas de agua, lo que podría causar que la unidad reviente si se arranca antes de estar completamente descongelada.*

**TAPÓN DE DRENAJE DEL SERPENTÍN**



## LOCALIZACION DE FALLAS

SINTOMA	CAUSA PROBABLE	SOLUCION
El motor no arranca.	Problemas con el motor.	Vea el manual del motor que viene con su unidad.  Permita que se descongele. Si alguna parte de la unidad se congela, es posible que se acumule la presión, lo cual podría ocasionar que la unidad reviente y consecuentemente provoque lesiones graves al operador o las personas que se encuentren alrededor.
No hay descarga de la boquilla cuando se acciona el mecanismo del gatillo.	Los componentes de la unidad están congelados.	Asegúrese que la manguera tenga 3/4" de diámetro y que el suministro de agua entrante esté abierto.
Presión baja o fluctuante	<p>Suministro inadecuado de agua.</p> <p>Doblez en la manguera de entrada de agua.</p> <p>Doblez en la manguera de descarga de alta presión.</p> <p>Está obstruido el tamiz de la entrada de agua.</p> <p>La bomba absorbe aire (Eliminado el cebado)</p> <p>Gatillo de lanza dual no esta en hoda de presión alto.</p> <p>La boquilla de rociado está obstruida o gastada.</p> <p>El conjunto de la válvula en la bomba está dañado o obstruido.</p> <p>Los empaques de la bomba están gastados.</p>	<p>Elimine el doblez</p> <p>Reemplace la manguera.</p> <p>Saque el tamiz, limpie o reemplace.</p> <p>Ajuste todas las conexiones de entrada de agua. Elimine dobleces en la tubería de entrada.</p> <p>Gire el gatillo en sentido contrario a las agujas del reloj presión alto.</p> <p>Saque, limpie o reemplace.</p> <p>Saque, inspeccione, limpie o reemplace.</p> <p>Reemplace los empaques.</p> <p>Repare o reemplace.</p>
Pérdida de agua de la "Válvula de descarga térmica"	<p>La válvula de derivación no opera correctamente.</p> <p>La temperatura del agua es demasiado elevada.</p>	<p>No permita que la unidad opere en el modo de derivación (con la pistola a gatillo cerrado) durante más de tres minutos.</p> <p>Reemplace.</p>
El agua parece lechosa o espumosa	Válvula defectuosa.	Cambie la bomba de aceite. Llene al nivel apropiado.
Pérdida de aceite de la unidad	Agua en el aceite	Saque, limpie le reemplace.
Cuando la pistola de gatillo está asegurado en la posición "OFF", el agua fluye desde la boquilla.	<p>Sulos o argollas gastados.</p> <p>La pistola funciona mal.</p>	Repare o reemplace.
Agua está saliendo debajo del rollo caliente intercambio.	<p>El tapón de drenaje del serpentín no está instalado.</p> <p>El aparato de seguridad está salida de agua debido a una falla de un descargador o interruptor de presión.</p>	<p>Instale el tapón.</p> <ol style="list-style-type: none"> <li>1. Diagnostique y corrija el problema del descargador o interruptor de presión.</li> <li>2. Reemplace el aparato de seguridad contra estallidos. NUNCA active la unidad sin un aparato de seguridad. Podría causar una explosión.</li> </ol>

## LOCALIZACION DE FALLAS

SINTOMA	CAUSA PROBABLE	SOLUCION
El detergente no fluir� por sif�n en el modo de detergente a baja presi�n.	<p>El tamiz del detergente no est� completamente sumergido en la soluci�n de detergente.</p> <p>El tamiz del detergente est� obstruido.</p> <p>La manguera del detergente est� cortada, obstruida o doblada.</p> <p>La perilla de ajuste del detergente est� girada a la posici�n cerrada.</p> <p>No est� en el modo baja presi�n.</p> <p>La boquilla del detergente est� taponada.</p> <p>Hay demasiadas extensiones de las mangueras de alta presi�n conectadas a la salida de agua.</p> <p>La esfera y el resorte en el Venture est�n atascados.</p>	<p>Inspeccione, sumerja si fuera necesario.</p> <p>Inspeccione, limpie o reemplace.</p> <p>Inspeccione, limpie o reemplace.</p> <p>Abra la perilla de ajuste. Refi�rse a "Limpieza con detergentes" p�g. 40.</p> <p>Inserte la buquilla 6540� (NEGRA)</p> <p>Limpie o reemplace.</p> <p>Use una extensi�n como m�ximo.</p> <p>Retire, limpie o reemplace.</p>
El flujo de agua retrocede al recipiente del detergente.	<p>La esfera y el resorte en el Venturi est�n reverso, perdido o corroer.</p> <p>Varilla no est� en posici�n quemada.</p> <p>No hay combustible.</p> <p>Gatillo est� cerrado.</p> <p>La correa de impulso electromotriz est� floja o rota.</p> <p>Acoplador reguable roto.</p> <p>Filtro combustible/separador del agua sucio o atascado.</p> <p>Bomba combustible esta absorbandos el aire.</p> <p>Filtro repunte combustible esta obstruir.</p> <p>Bomba combustible no funciona.</p> <p>Boquilla combustilbe sucia o atascado.</p> <p>Falla del m�dulo de encendido.</p> <p>Los electrodos de ignici�n est�n da�ados o desgastados.</p> <p>No hay voltaje.</p> <p>Varilla de presion est� fatigando</p> <p>Varilla de los limitos altos est� fatigando.</p>	<p>Retire, limpie o reemplace.</p> <p>Examine posici�n de varilla.</p> <p>M�s combustible.</p> <p>Abre el gatillo para presi�n.</p> <p>Ajuste o reemplace seg�n sea necesario.</p> <p>Reemplace.</p> <p>Desaque o reemplace como es necesario.</p> <p>Apriete todas las conexiones de entrada de combustible. Elimine las fugas en la l�nea de entrada.</p> <p>Llame al Departamento de Servicio.</p> <p>Examine la presi�n reemplace se necesita.</p> <p>Reemplace.</p> <p>Llame al Departamento de Servicio.</p> <p>Con la unidad en funcionamiento y el gatillo de la pistola en posici�n cerrada, vea por medio de la mirilla del quemador para asegurarse que hay chispas en los electrodos.</p> <p>Llame al Departamento de Servicio.</p> <p>Presi�n debe estar m�s a 250 PSI/18 Bar a permetir quemadura encender.</p> <p>Permite la unidad a calmar antes de encendo.</p>
Quemador no encendia.	<p>Ajustameinto del aire quemado incorrecto.</p> <p>Valvula del combustible no funciona.</p>	<p>Ajuste como se dice en pagina 41.</p> <p>Reemplace.</p>

## LOCALIZACION DE FALLAS

SINTOMA	CAUSA PROBABLE	SOLUCION
Quemadura funciona irregular.	Hay aqua en petroleo.	Desaugue filtro combustilbe y aqua seperador. Desaugue depósito combustible y reemplace con combustible limpio.
	Filtro combustible / aqua separador sucio.	Reemplace el elemento.
	Tobera combustilbe sucio.	Reemplace.
	Filtro repunte combustible esta obstruir.	Llame al Departamento de Servicio.
	Ajustamiento malo del aire.	Ajuste como se dice en pág. 41.
	Bomba combustible no funciona.	Reemplace.
Quemadura funciona pero no acol- orar.	Combustible malo o incorrecto.	Examine combustible a ser seguro que está correcto. Desaugue el depósito y reemplace el filtro si es necesario y reponga combustible.
	Presión del combustible bajo.	Examine la presión del combustible y reemplace si es necesario.
	Tobera combustible sucio.	Reemplace.
	Filtro combustible / aqua separador sucio.	Llame al Departamento de Servicio.
	Ajustameinto del aire incorrecto.	Ajuste como se dice en pág. 41.
	Hay escama en el rolo calentiente intercambia.	Llame al Departamento de Servicio.
Quemadura descarga humo blanco.	No hay mucho combustible.	Ponga más combustible. Si todavia hay humo blanco llame los servicios.
	Hay aire exesivo.	Ajuste como se dice en pág. 41.
Quemadura descarga humo negra.	No hay bastante aire.	Ajuste como se dice en pág. 41.



## ACCESORIOS

		HSP-2503	HSP-3003	HSP-3004	HSP-3504
15-0006	MANGUERA ABASTECER DE AGUA 3/4"	X	X	X	X
50-0136	CARRETE MANGUERA 13" (PUEDE MANTERNÉR 100')	X	X	X	X
50-0137	CARRETE MANGUERA 16" (PUEDE MANTERNÉR 200')	X	X	X	X
AW-0050-0138	MÉNSULA DE LA MANGUERA	X	X	X	X
852-0138	MANGUERA PARA CARRETE MANGUERA (4000 PSI)		X	X	X
852-0139	MANGUERA PARA CARRETE MANGUERA (4000 PSI)	X			
AW-3000-0035	BOQUILLA ARENA ACRIBILLAR*	X	X		X
AW-3000-0004	BOQUILLA ARENA ACRIBILLAR *			X	
AW-4085-0016	PETROLEO DE BOMBA	X	X	X	X
AW-7004-0045	BOQUILLA GIRATORIA (.045 / 5000 max) *	X	X	X	X
AW-7003-1500	CEPILLO GIRATORIO *	X	X	X	X
AW-7018-1200	VARA EXTENSIÓN 12' ** (3000 PSI)	X	X	X	
AW-7018-1800	EVARA EXTENSIÓN 18' ** (3000 PSI)	X	X	X	
AW-7018-2400	VARA EXTENSIÓN 24' ** (3000 PSI)	X	X	X	
AW-7020-8003	LIMPIA DE SUPERFICIE ROTATORIO** (20" 4000 PSI)	X	X	X	X
AW-7020-8001	LIMPIA DE SUPERFICIE ROTATORIO** (28" 4000 PSI)	X	X	X	X
AW-7025-8000	25" ESCOBA MECANICO (5 - 80° BOQUILLA)*/***	X	X	X	X
AW-7035-8000	35" ESCOBA MECANICO (7 - 80° BOQUILLA)*/***	X	X	X	X

\*Necesita 17-0028 1/4 Conecta rapida a hembra

\*\*Necesita 17-0004 3/8 Conecta rapida a hembra.

\*\*\*PSI y GPM tienen que se especificada cuando esta ordena.

Detergentes de Mi-T-M son detergentes expecialmente para usar con lavadoras a presion de Mi-T-M & estan envasando en dimensiones varios. Para mas llame los servicios para clientes a 800-553-9053.





## DECLARACIÓN DE GARANTÍA DE LA SERIE HSP

Mi-T-M garantiza todas las piezas (excepto las piezas a las cuales se hace referencia más abajo) de su nueva lavadora a presión SERIE HSP contra defectos en sus materiales o su manufactura durante los períodos siguientes:

Para un curso de la vida (limitado) contra congelar y agrietarse:  
Colector de bomba

Por siete (7) años a partir de la fecha de compra:  
La bomba de alta presión

Por tres (3) años a partir de la fecha de compra:  
El serpentín del intercambiador de calor

Por una (1) años a partir de la fecha de compra:  
Estructura                      Polea  
Protecciones                El sistema de encendido eletromagnético (EMF)  
Tubería

Por noventa (90) días a partir de la fecha de compra:  
Interruptores de control                      Interruptores de seguridad  
Válvula reguladora                            Bomba de combustible  
Interruptores de presión                      Electrodo  
Válvula de auxilio seguridad                Interruptores de temperatura  
Termostato de límite arriba                Válvula de descargas  
Válvula de combustible

Por treinta (30) días a partir de la fecha de compra:  
Manguera de alta presión                    Pistola de gatillo  
Mallas/Filtros

Durante el período de garantía, se repararán o reemplazarán a discreción de manufacturar las piezas defectuosas que no estén sujetas a un desgaste normal. El reembolso en cualquier caso se limitará al precio de compra.

### EXCLUSIONES

1. El motor está cubierto bajo una garantía por separado que su respectivo fabricante ofrece, y queda sujeto a los términos establecidos en dicha garantía.
2. Piezas sujetas a desgaste normal:  
Empaques de la bomba                      Boquillas atomizadoras    Correas  
Válvulas de la bomba                        Conectores roscados  
Válvulas de detergente                      Filtros de combustible
3. Esta garantía no cubre piezas dañadas a causa de desgaste normal, aplicación incorrecta, uso incorrecto, o operación a velocidades, presiones o temperaturas diferentes a las recomendadas. Tampoco se garantizan las piezas dañadas o desgastadas debido al uso de líquidos cáusticos o a la operación en ambientes abrasivos o corrosivos, o bajo condiciones que causen cavitación de la bomba. También se anula la garantía si no se siguen los procedimientos recomendados de operación y mantenimiento.
4. El uso de piezas que no sean genuinas anulará la garantía. Las piezas enviadas con porte prepago a la fábrica de Mi-T-M o a un centro de servicio autorizado serán inspeccionadas y reemplazadas sin cargo alguno si se encuentran defectuosas y están cubiertas por la garantía. No hay otras garantías que se extiendan más allá de la descripción presentada aquí. Mi-T-M no será responsable bajo ninguna circunstancia por pérdida de uso del aparato, pérdida de tiempo o renta, inconveniencia, pérdida comercial o daños consecuentes.

Manufactured by Mi-T-M  
50 Mi-T-M Drive, Peosta IA 52068  
563-556-7484/ Fax 563-556-1235